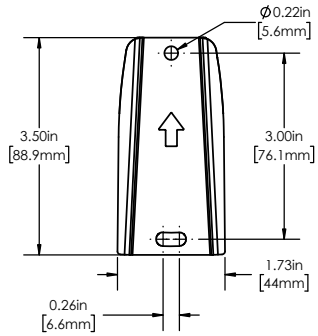


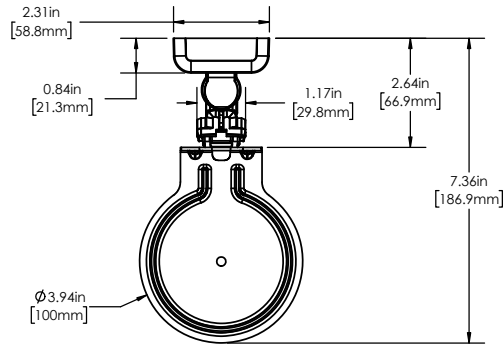
**WALL PLATE**



**SONOS WALL MOUNT 100 SERIES  
 6805-002470-XXX**

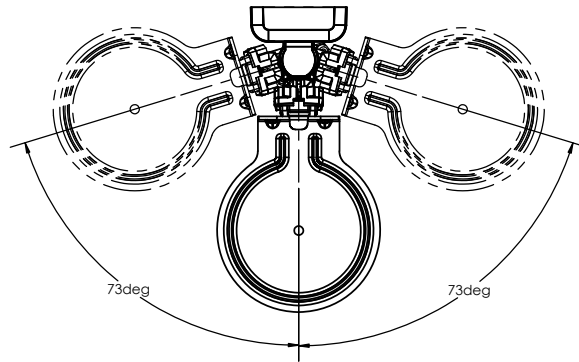
THE INFORMATION AND DESIGNS CONTAINED IN THIS DRAWING ARE CONFIDENTIAL AND THE PROPRIETARY PROPERTY OF LEGRAND | AV. NEITHER THIS DESIGN NOR ANY INFORMATION CONTAINED IN THIS DRAWING MAY BE REPRODUCED OR DISCLOSED TO OTHERS WITHOUT THE EXPRESS WRITTEN CONSENT OF LEGRAND | AV.  
 本图纸所包含的信息和设计均系 LEGRAND | AV 机密和知识产权。本图纸包含的设计和信息未经 LEGRAND | AV 书面同意均不得复制或泄露给他人。

**TOP VIEW**

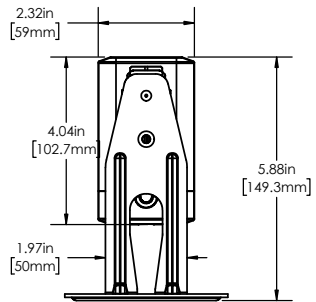


**TOP VIEW - SWIVEL**

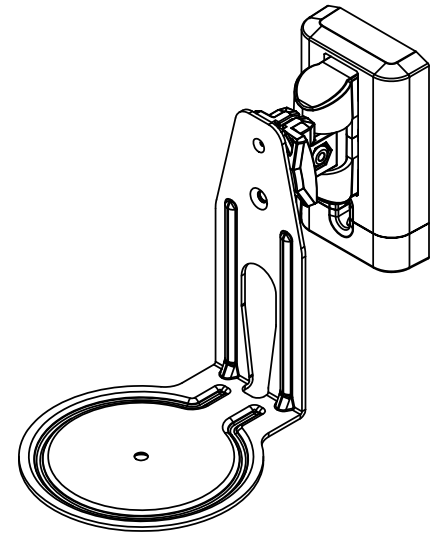
WALL IS ON TOP



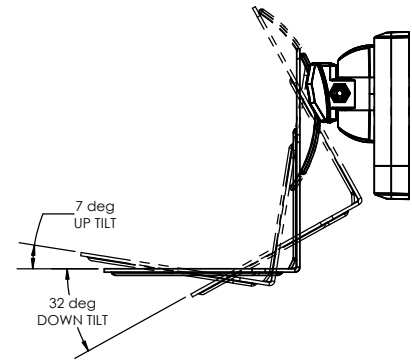
**FRONT VIEW**



**3-D**



**SIDE VIEW - TILT**



WALL IS ON RIGHT

# SONOS WALL MOUNT 100 SERIES 6805-002470-XXX

