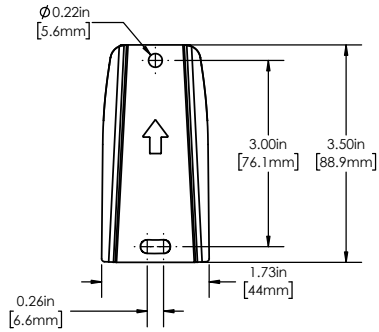


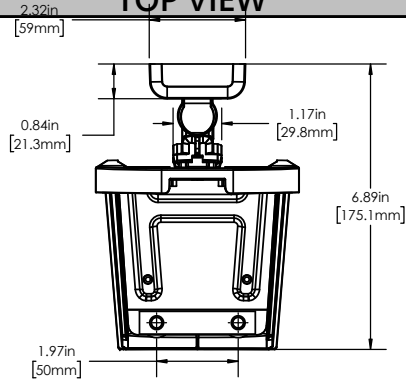
WALL PLATE



**SONOS WALL MOUNT 300 SERIES
 6805-002471-XXX**

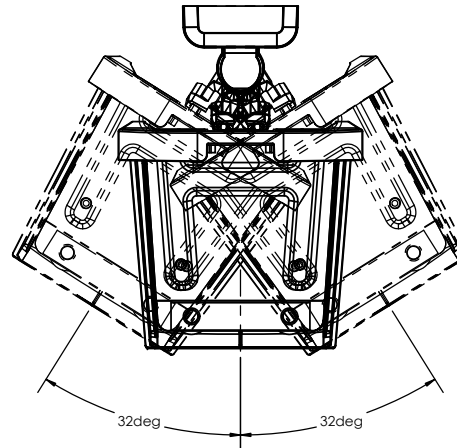
THE INFORMATION AND DESIGNS CONTAINED IN THIS DRAWING ARE CONFIDENTIAL AND THE PROPRIETARY PROPERTY OF LEGRAND | AV. NEITHER THIS DESIGN NOR ANY INFORMATION CONTAINED IN THIS DRAWING MAY BE REPRODUCED OR DISCLOSED TO OTHERS WITHOUT THE EXPRESS WRITTEN CONSENT OF LEGRAND | AV.
 本图纸所包含的信息和设计均系 LEGRAND | AV 机密和知识产权。本图纸包含的设计和信息未经 LEGRAND | AV 书面同意均不得复制或泄露给他人。

TOP VIEW

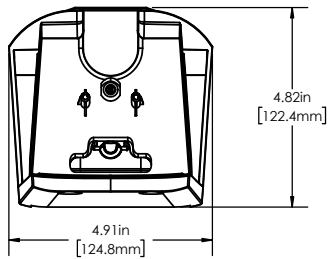


TOP VIEW - SWIVEL

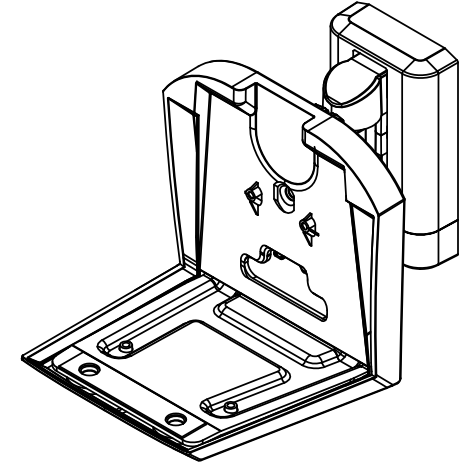
WALL IS ON TOP



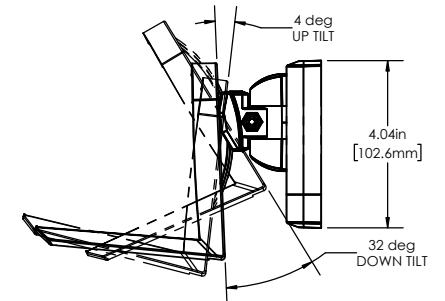
FRONT VIEW



3-D



SIDE VIEW - TILT



WALL IS ON RIGHT

SONOS WALL MOUNT 300 SERIES 6805-002471-XXX

