



**SANUS®**

THANK YOU FOR CHOOSING **SANUS**  
THE #1 TV MOUNT BRAND IN THE US.

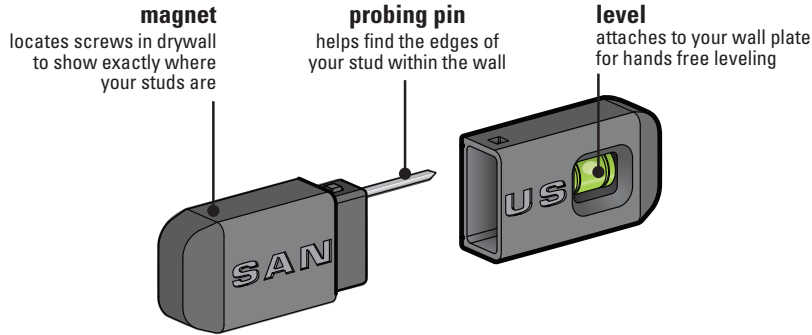
**BLF125** Instruction Manual

Scan for easy  
install video

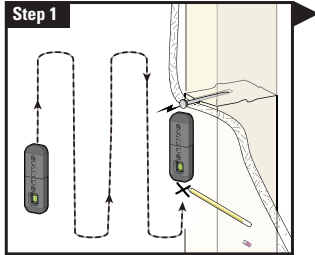


# SANUS MAGNETIC STUD FINDER

Designed to find your studs and make life easier – included in hardware kit.



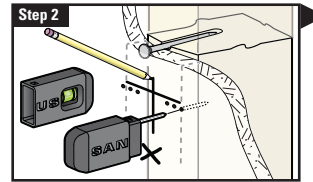
## TWO SIMPLE STEPS TO FINDING YOUR STUDS:



Holding it vertically, lightly move the SANUS Magnetic Stud Finder up and down while sliding across your wall. The magnet within will be attracted to the screws in the stud.

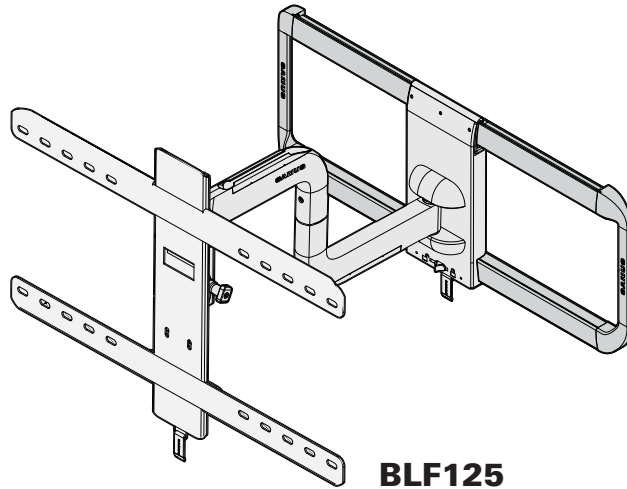
Once the magnet has landed on a screw, place a pencil mark on the wall directly below the magnet.

You can verify this is a stud by moving the Magnetic Stud Finder up or down to find a second or third screw within the wall.



Pull apart the SANUS Magnetic Stud Finder to expose the probing pin within. Starting about  $\frac{1}{2}$  inch away from the first pencil mark insert the probing pin into the wall every  $\frac{1}{8}$  inch until it inserts completely into the wall. Once that happens, you know you've found one edge of your stud. Repeat this process till you have found the stud edges and center of the stud.

**⚠ WARNING:** This product contains a magnet. If an implanted medical device such as a pacemaker or implantable cardioverter defibrillator (ICD) is in use, magnetic fields may affect the operation of those devices, resulting in serious injury or death. If you have an implanted medical device, keep at least 13 cm (5in.) between your device and the magnet. Please consult with your physician or medical professional prior to using this product.



**BLF125**

## **We'll Make It Stress-Free**

If you have any questions along the way, just give us a call.  
1-800-359-5520 (UK: 0800-056-2853) We're ready to help!

## **Lo haremos sin estrés**

Si tiene preguntas mientras realiza la instalación, llámenos.  
1-800-359-5520 (Reino Unido: 0800-056-2853) Estamos listos para ayudarlo.

# IMPORTANT SAFETY INSTRUCTIONS – SAVE THESE INSTRUCTIONS – PLEASE READ ENTIRE MANUAL PRIOR TO USE

Before getting started, let's make sure this mount is perfect for you!

Para Español ver página 32

**1** Does your TV weigh (including accessories) more than 125 lbs. (56.7 kg)?

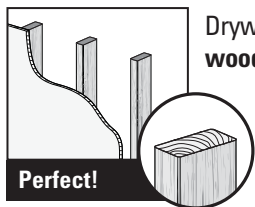


**No** — Perfect!

**Yes** — This mount is NOT compatible. Visit [MountFinder.Sanus.com](http://MountFinder.Sanus.com) or call 1-800-359-5520 (UK: 0800-056-2853) to find a compatible mount.

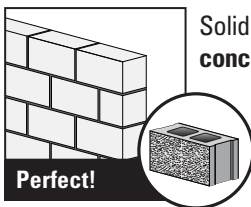
**2** What is your wall made of?

**CAUTION:**  
DO NOT install into drywall alone



Drywall with wood studs?

Perfect!



Solid concrete or concrete block?

Perfect!



Unsure?

Call Customer Service:  
1-800-359-5520 (UK: 0800-056-2853)

**3** Do you have all the tools needed?



Tape Measure



Pencil



Screwdriver



Electric Drill



1/2 in. (13 mm) Socket Wrench

Wood Stud Install



7/32 in. (5.5 mm) Wood Drill Bit

Concrete Install



3/8 in. (10 mm) Concrete Drill Bit



Hammer

**4** Ready to begin?

Please read through these instructions completely to be sure you're comfortable with this easy install process. Also check your TV owner's manual to see if there are any special requirements for mounting your TV.

If you do not understand these instructions or have doubts about the safety of the installation, assembly or use of this product, contact Customer Service at 1-800-359-5520 (UK: 0800-056-2853).

**CAUTION:** Avoid potential personal injuries and property damage!

- This product is designed for use in wood stud, solid concrete, and concrete block walls - DO NOT install into drywall alone
- The wall must be capable of supporting five times the weight of the TV and mount combined
- Do not use this product for any purpose not explicitly specified by manufacturer
- Manufacturer is not responsible for damage or injury caused by incorrect assembly or use



# STEP 1

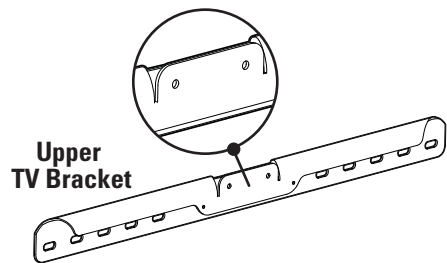
# Attach Bracket to TV

## Parts and Hardware for STEP 1

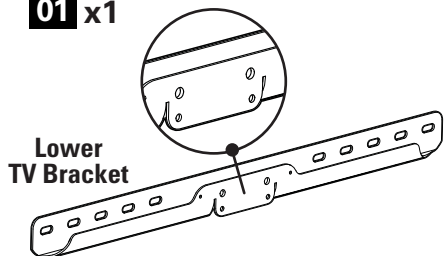
**⚠ WARNING:** This product contains small items that could be a choking hazard if swallowed.

Before starting assembly, verify all parts are included and undamaged. If any parts are missing or damaged, do not return the damaged item to your dealer; contact Customer Service. Never use damaged parts!

**📄 NOTE:** Not all hardware included will be used.



**01** x1



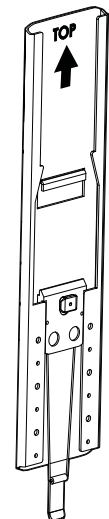
**02** x1

TV Bracket Plate

**03**  
x1



Vertical TV Bracket



**04** x1

TV Screws

**05**  
x4



M4x35 mm

**06**  
x4



M5x35 mm

**07**  
x4



M6x35 mm

**08**  
x4



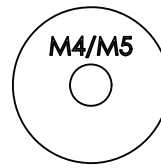
M8x35 mm

**09**  
x4



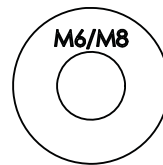
M8x45 mm

TV Washers



M4/M5

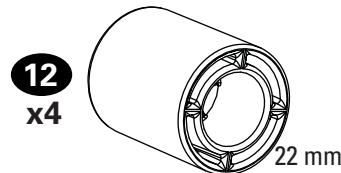
**10** x4



M6/M8

**11** x4

Spacers

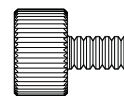


**12**  
x4

22 mm

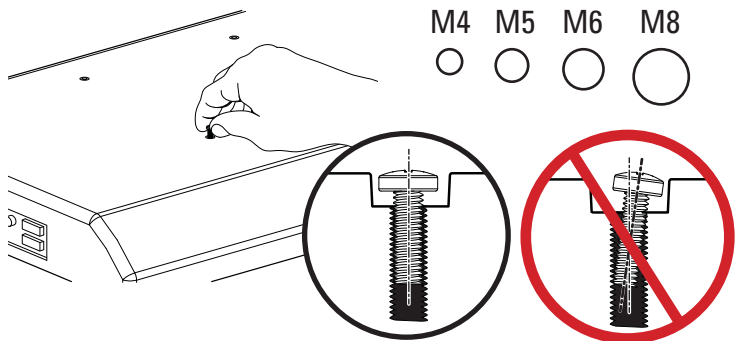
Thumb Screws

**13**  
x4



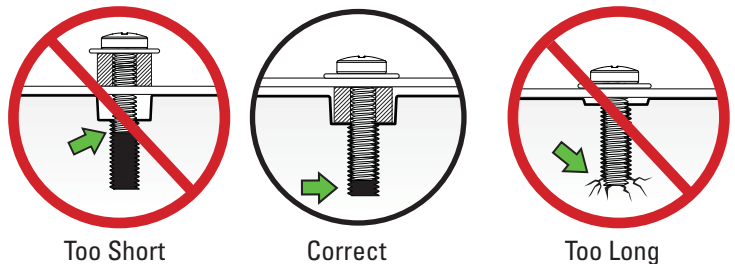
## 1.1 Select TV Screws

Hand thread screws into the threaded inserts on the back of your TV to determine which screw diameter (M4, M5, M6, or M8) to use.



**⚠ CAUTION:** Verify adequate thread engagement of the screw/spacer combination on your TV.

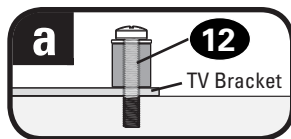
Too short will not hold the TV and too long will damage the TV.



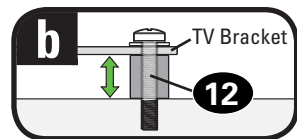
## 1.2 Spacers

Spacers and screws are supplied to install your TV bracket.

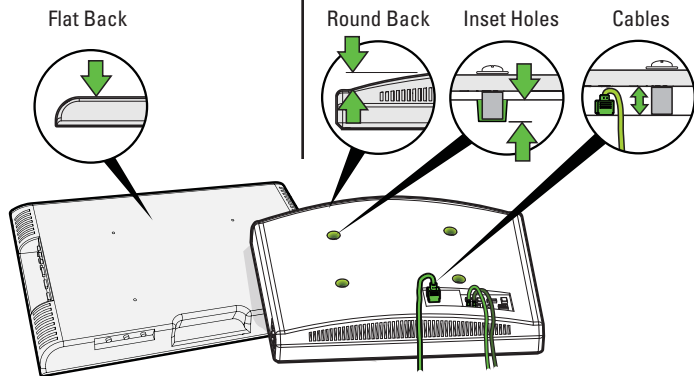
Determine your preference for spacer configuration when attaching your TV bracket.



Mount the spacers **12** above the TV bracket, so the TV bracket sits close to the TV surface for flat back panels (AND the TV closer to the wall).

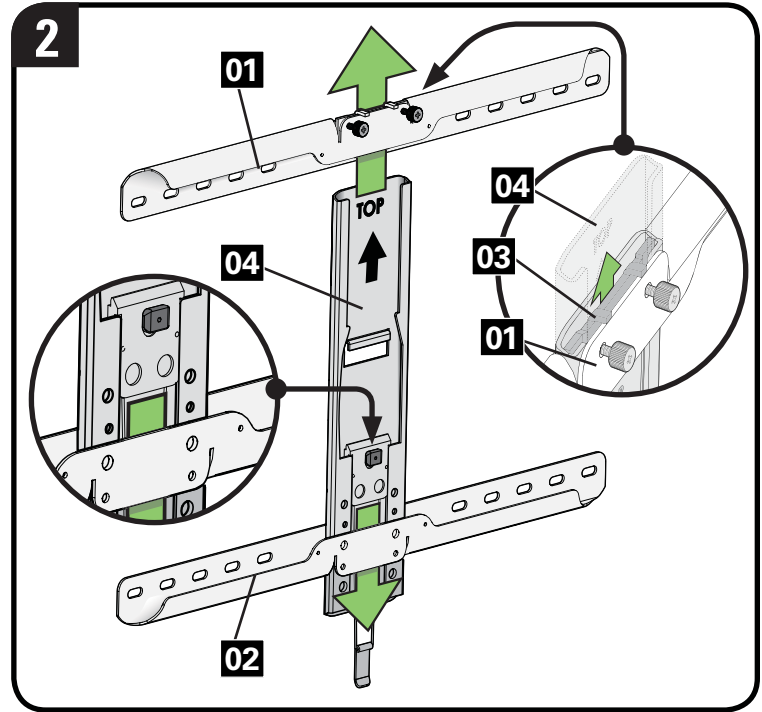
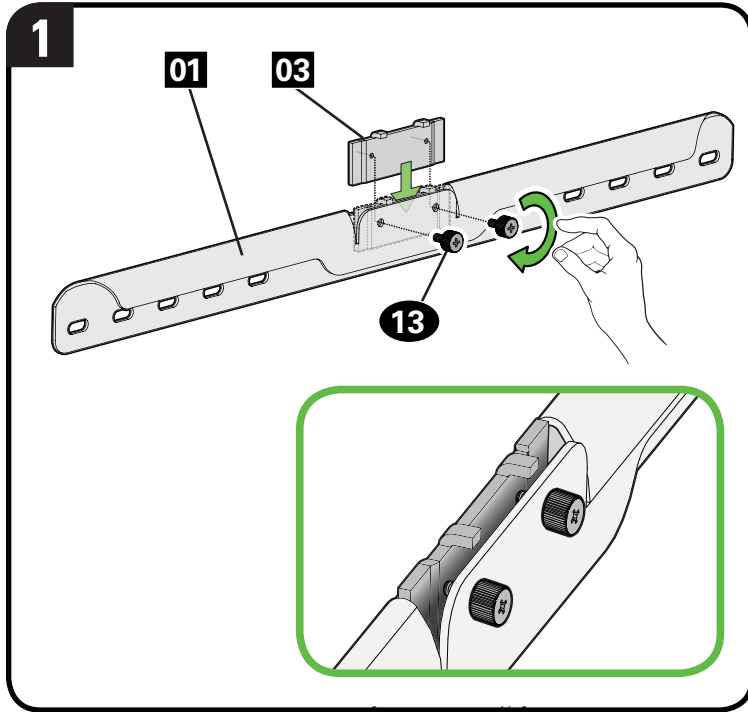


Mount the spacers **12** under the TV bracket to create extra space needed for irregular shape TV backs or large cables.



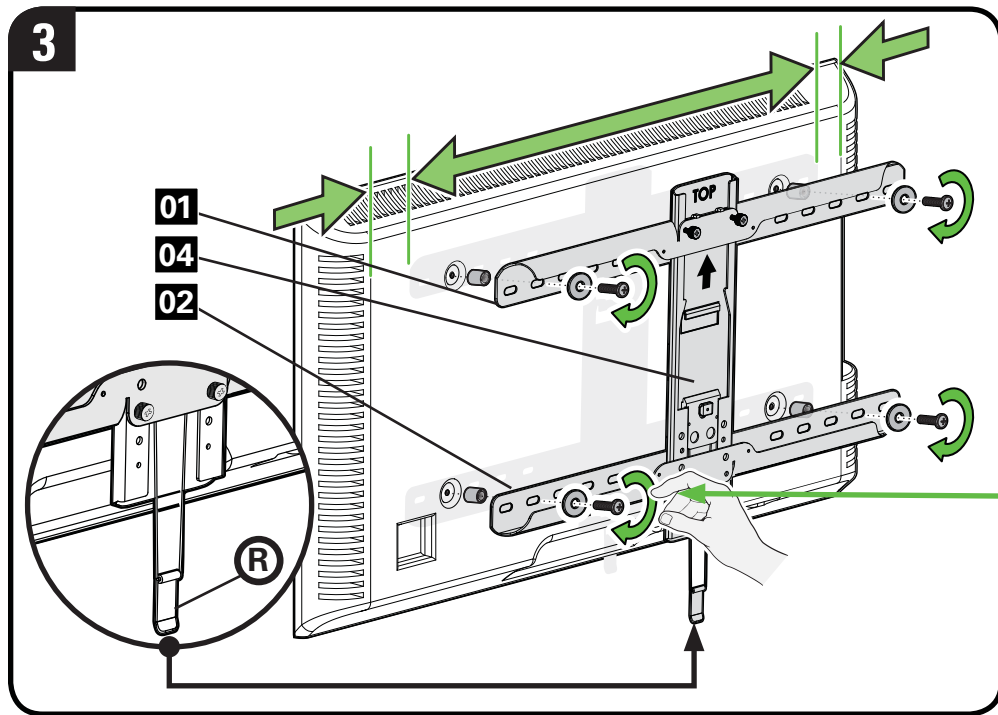
## 1.3 Attach TV Brackets


1. Slide TV bracket plate **03** into upper TV bracket **01** and loosely install using two thumb screws **13**.
2. Slide the upper **01** and lower **02** TV brackets onto the ends of the vertical TV bracket **04**.

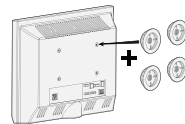


3. Position the TV bracket assembly over your TV hole pattern, center horizontally and loosely install using the spacer, TV screw and washer combination (a) or (b) you selected for your TV.

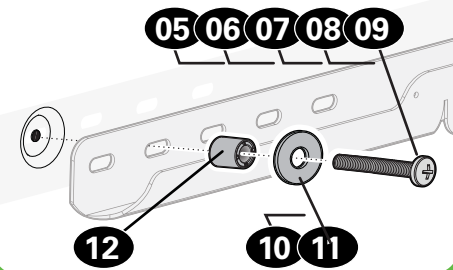
**⚠ CAUTION:** Avoid potential personal injury or property damage! The TV Bracket assembly **MUST BE** installed with the release cord **(R)** oriented **on the bottom** of the TV as shown.



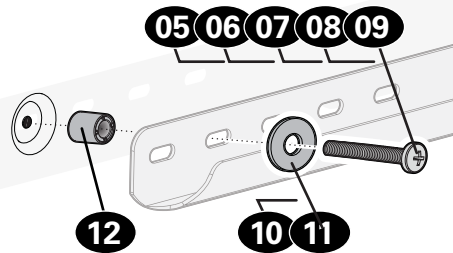
 If your TV included inset spacers or wall mount adapters, see Troubleshooting on PAGE 28.



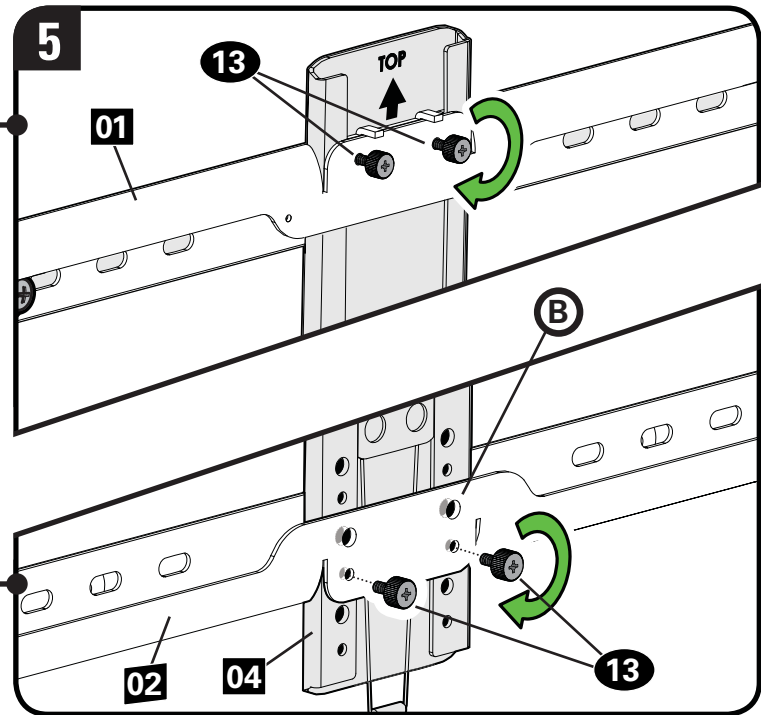
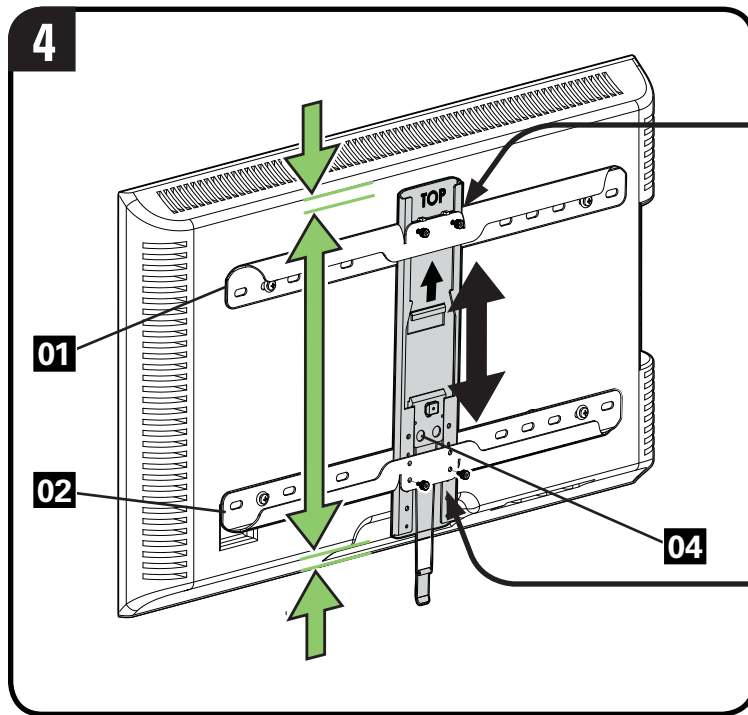
**a** Spacer, screw and washer



**b** Spacer, screw and washer

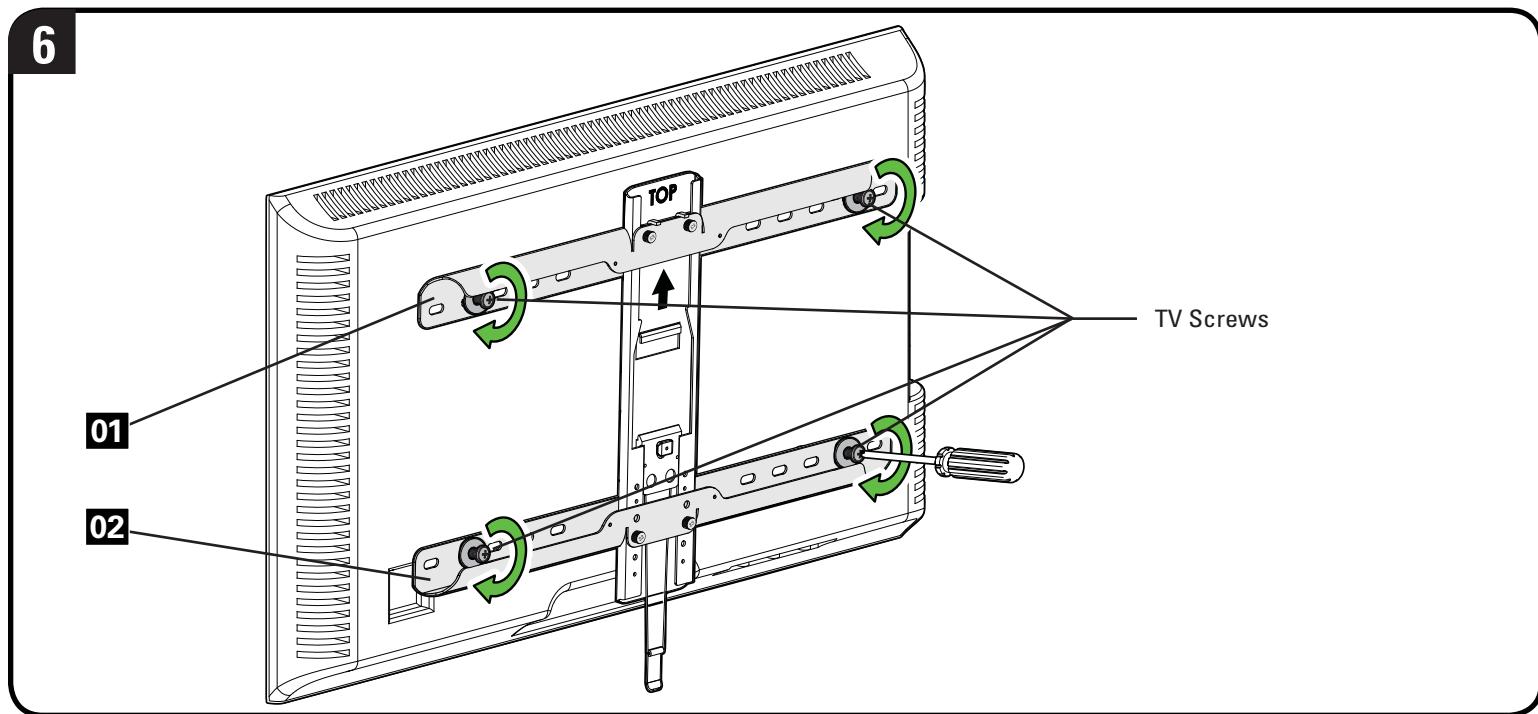


- Vertically center TV bracket **04**.
- Visually line up the locator hole **(B)** in the lower TV bracket **02**, with a hole in the vertical TV bracket **04** and install using two thumb screws **13**. Tighten the four thumb screws **13** on the upper **01** and lower **02** TV brackets.



6. Tighten the four TV screws (PAGE 8) on the upper **01** and lower **02** TV brackets.

**⚠ CAUTION:** Avoid potential personal injuries and property damage! DO NOT use a power screwdriver for this step. Tighten screws only until TV Bracket is secured in place. DO NOT overtighten M4 screws **05**.



# STEP 2

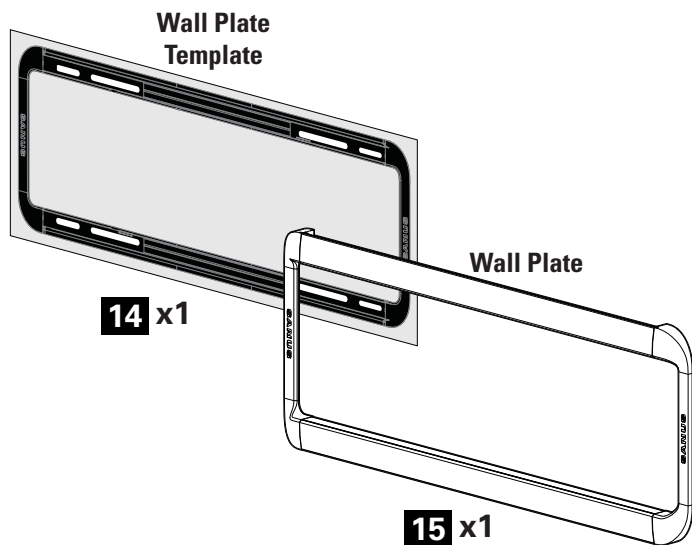
# Attach Wall Plate to Wall

## Parts and Hardware for STEP 2

**⚠ WARNING:** This product contains small items that could be a choking hazard if swallowed. Before starting assembly, verify all parts are included and undamaged. If any parts are missing or damaged, do not return the damaged item to your dealer; contact Customer Service. Never use damaged parts!

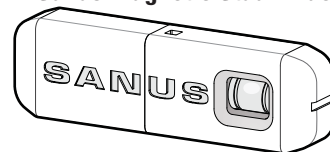
\* **⚠ WARNING:** This product contains a magnet. If an implanted medical device such as a pacemaker or implantable cardioverter defibrillator (ICD) is in use, magnetic fields may affect the operation of those devices, resulting in serious injury or death. If you have an implanted medical device, keep at least 13 cm (5 in.) between your device and the magnet. Please consult with your physician or medical professional prior to using this product.

**📄 NOTE:** Not all hardware included will be used.



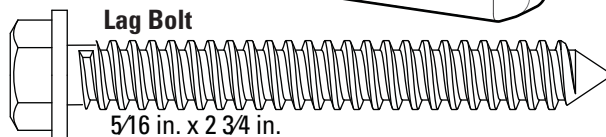
### Sanus Magnetic Stud Finder \*

16 x1



17 x4

### Lag Bolt

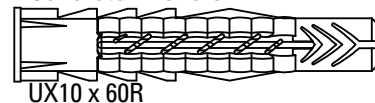


### For concrete installations ONLY

**⚠ CAUTION:** Do not use in drywall or wood

### Concrete Anchors

18 x4





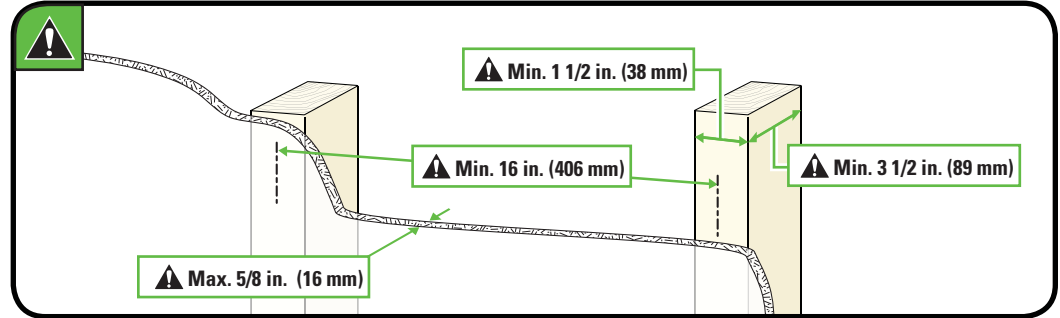
# STEP 2A



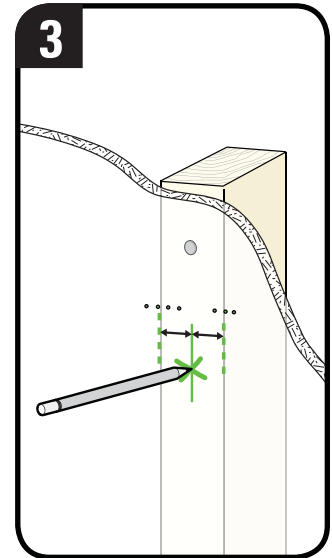
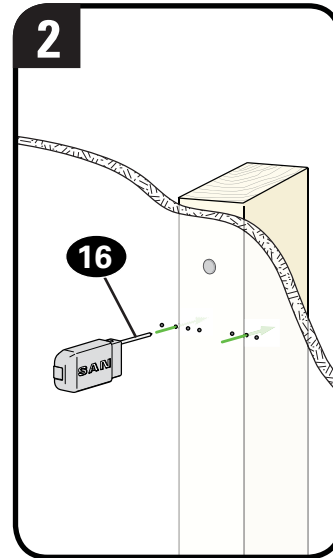
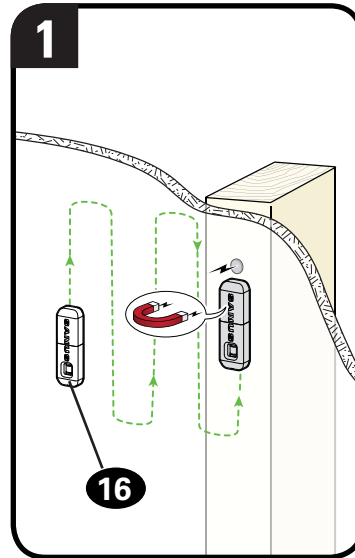
## Wood Stud Option

**CAUTION:** Avoid potential personal injuries and property damage!

- Drywall covering the wall must not exceed 5/8 in. (16 mm)
- Minimum wood stud size:  
common 2 x 4 in. (51 x 102 mm)  
nominal 1 1/2 x 3 1/2 in. (38 x 89 mm)
- Minimum horizontal space between fasteners: 16 in. (406 mm)
- Stud centers must be verified – not all walls have conventional 16 in. (406 mm) or 24 in. (610 mm) stud spacing



1. Locate a nail/screw in the studs using the Sanus magnetic stud finder **16** provided.
2. Find the edges of the studs using the probe of the stud finder **16**.
3. Mark the centers of the studs with a pencil.




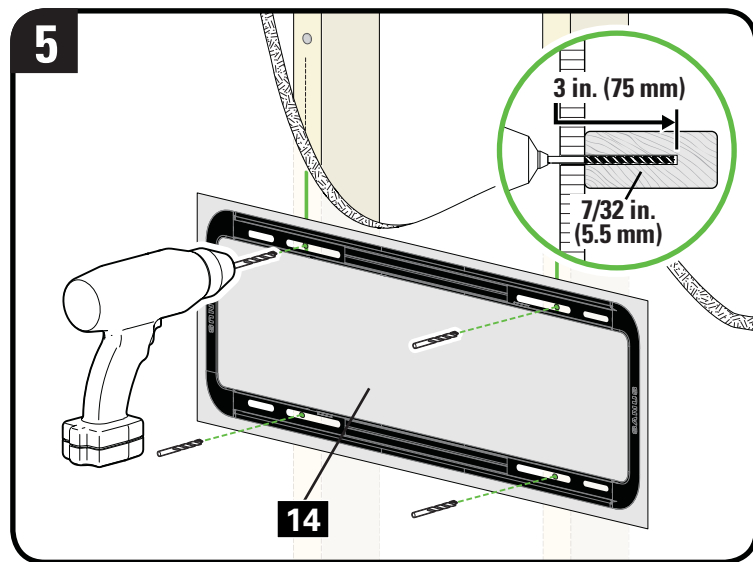
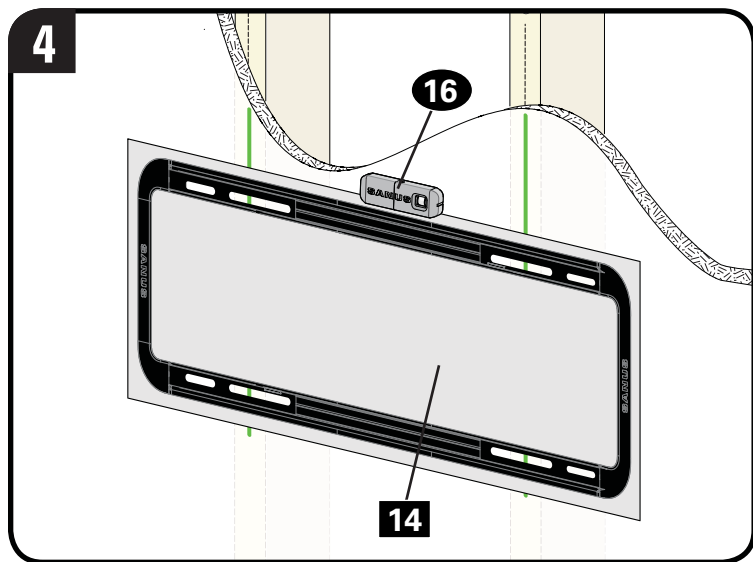
- Place the wall plate template **14** at your desired height and position the slotted holes over your stud center lines. Level the wall plate template **14** and tape in place.

 **NOTE:** For assistance in determining wall plate location, see HeightFinder at [sanus.com](http://sanus.com).

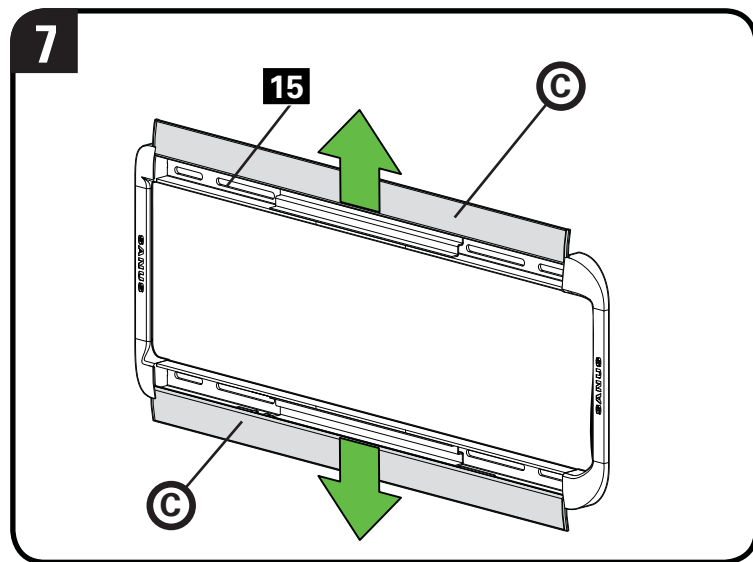
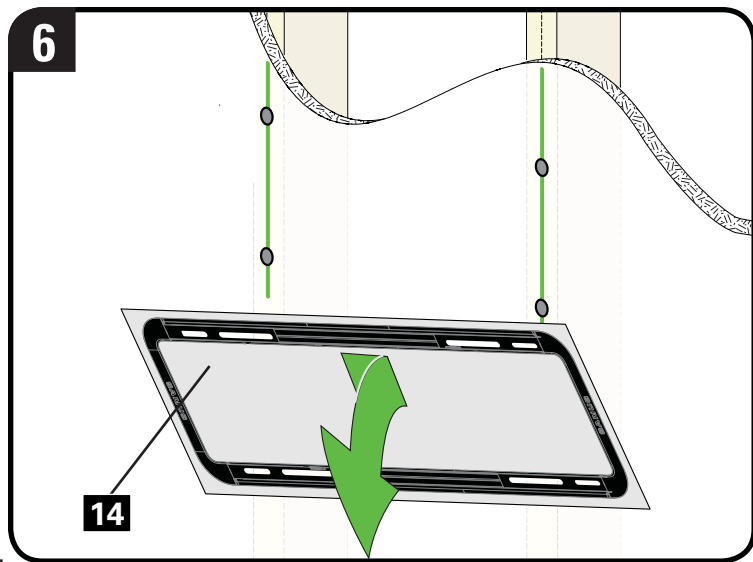
 **IMPORTANT:** Be sure you mark and drill into the center of the stud.

- Drill the four pilot holes using a  $7/32$  in. (5.5 mm) diameter drill bit.


 **IMPORTANT:** Pilot holes must be drilled to a depth of 3 in. (75 mm).



6. Remove the wall plate template **14**.
7. Slide the covers **©** open on the wall plate **15** to expose the mounting holes.



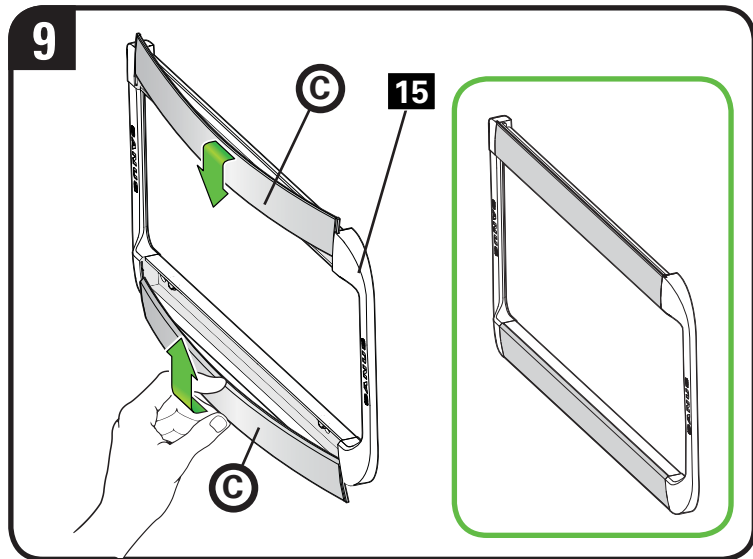
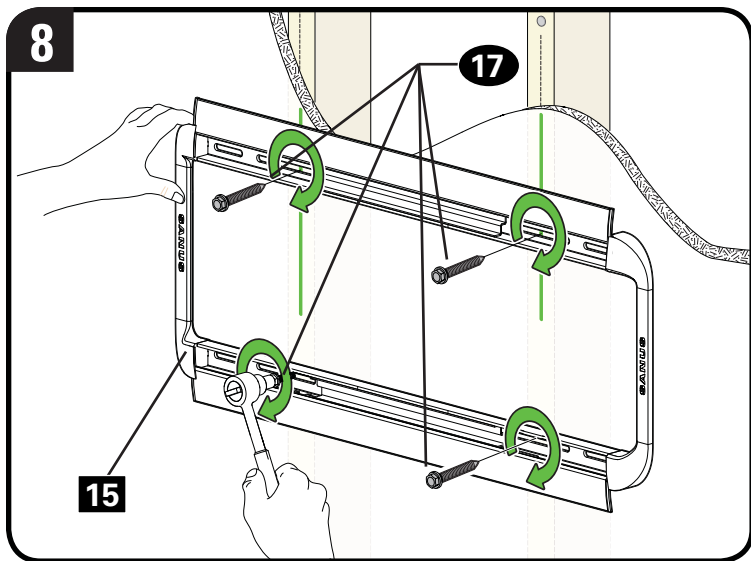
8. Install the four lag bolts **17**. Firmly tighten all four lag bolts **17** until they are pulled flush against the wall plate **15**.

 **NOTE:** Hold the wall plate **15** in place when tightening the first lag bolt **17** to keep the plate from shifting out of place.

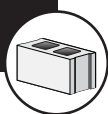
**⚠ CAUTION:** Avoid potential personal injury or property damage! All four lag bolts **17** MUST BE firmly tightened to prevent unwanted movement of the wall plate **15**. Ensure the wall plate is securely fastened to the wall before continuing on to the next step.

9. Slide the covers **C** closed on wall plate **15**.

Go to STEP 3 on PAGE 19.



## STEP 2B



# Solid Concrete or Concrete Block Option

**⚠ CAUTION:** Avoid potential personal injuries and property damage!

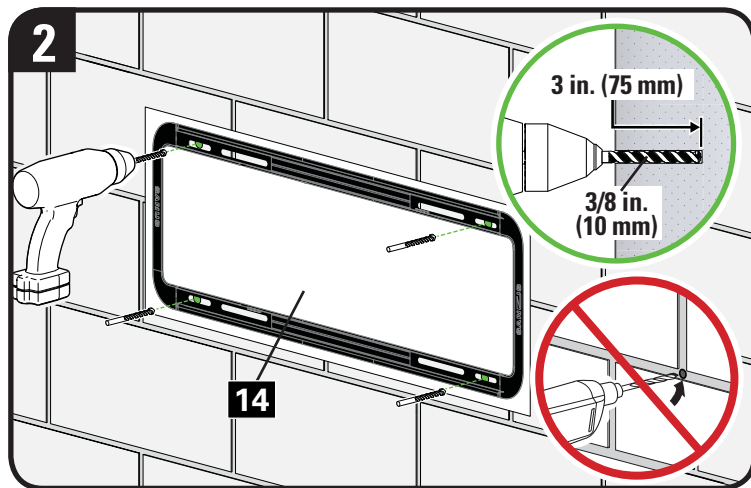
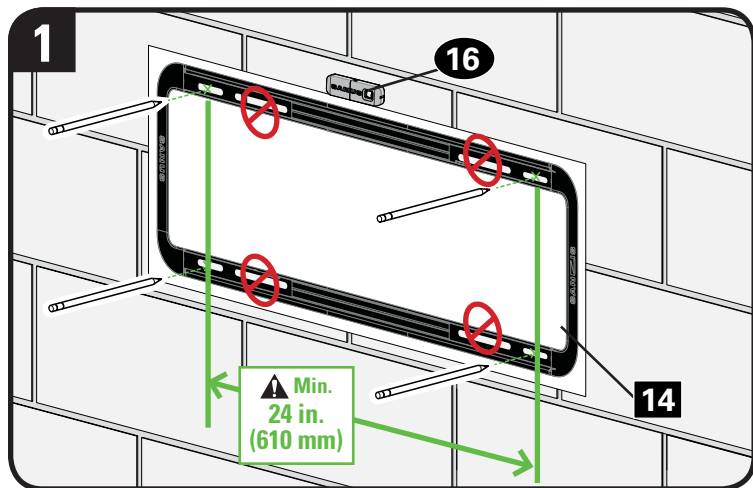
- Mount the wall plate **15** directly onto the concrete surface
- Minimum solid concrete thickness: 8 in. (203 mm)
- Minimum concrete block size: 8 x 8 x 16 in. (203 x 203 x 406 mm)
- Minimum horizontal space between fasteners: 24 in. (610 mm)
- For concrete applications, arm **19** (STEP 3) must remain centered in wall plate **15**. Keep this in mind when selecting the wall plate location.

1. Position the wall plate template **14** on the wall at your desired height. Level the wall plate template and mark the hole locations.

 **NOTE:** For assistance in determining wall plate location, see Height Finder at [sanus.com](http://sanus.com).

2. Drill four pilot holes using a 3/8 in. (10 mm) diameter drill bit.

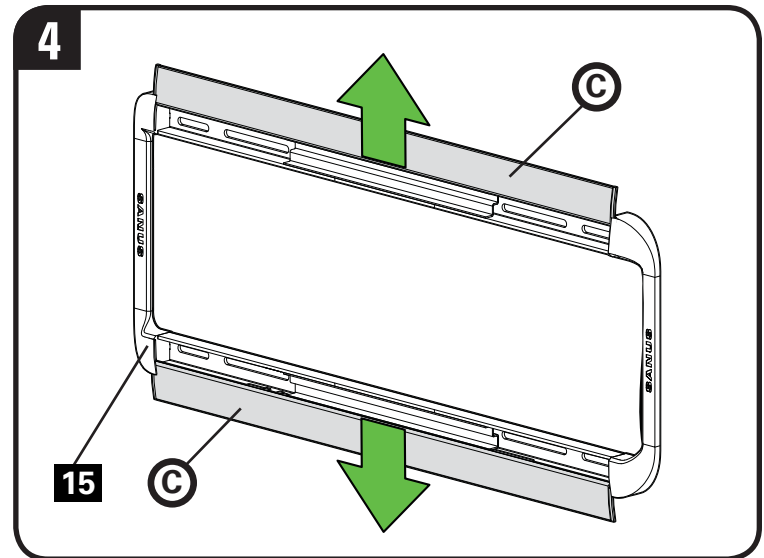
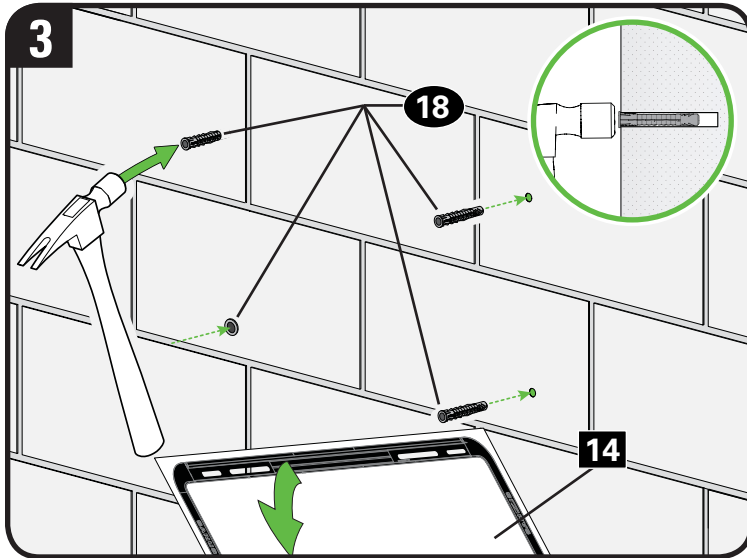
**! IMPORTANT:** Pilot holes must be drilled to a depth of 3 in. (75 mm). Never drill into the mortar between blocks.



3. Remove the wall plate template **14** and insert four anchors **18**.


**⚠ CAUTION:** Be sure the anchors **18** are seated flush with the concrete surface.

4. Slide the covers **C** open on the wall plate **15** to expose the mounting holes.

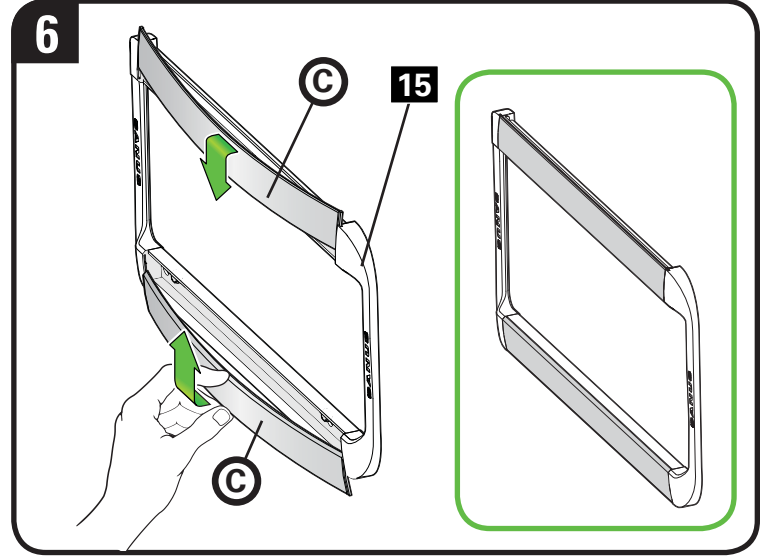
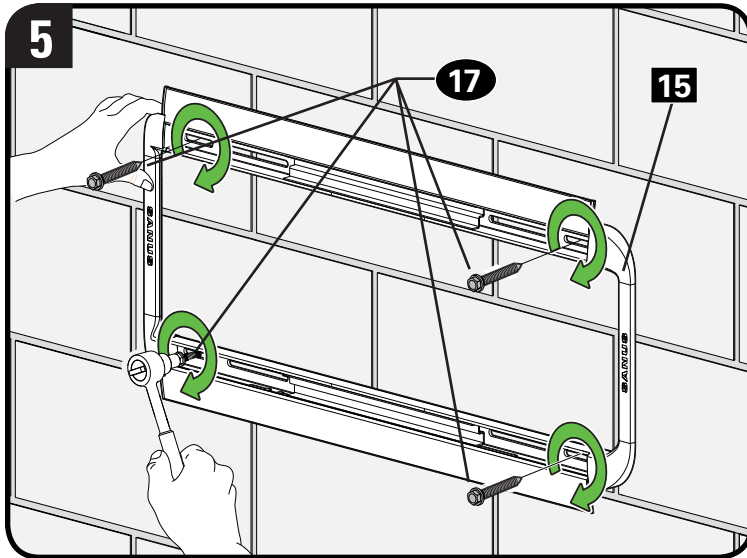


5. Install the four lag bolts **17**. Firmly tighten all four lag bolts **17** until they are pulled flush against the wall plate **15**.

 **NOTE:** Hold the wall plate **15** in place when tightening the first lag bolt **17** to keep the plate from shifting out of place.

 **CAUTION:** Avoid potential personal injury or property damage! All four lag bolts **17** MUST BE firmly tightened to prevent unwanted movement of the wall plate **15**. Ensure the wall plate is securely fastened to the wall before continuing on to the next step.

6. Slide the covers **C** closed on wall plate **15**.



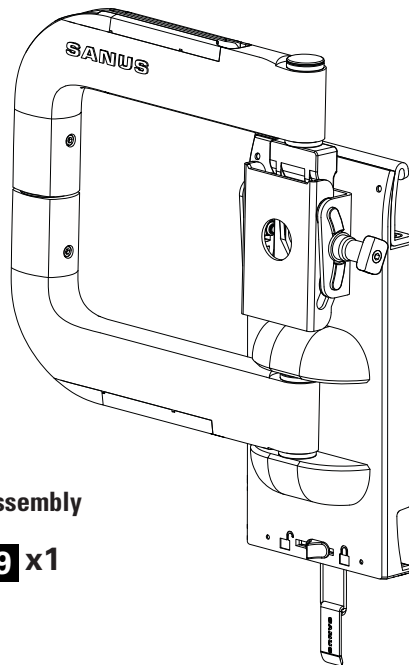


# STEP 3

# Attach TV to Wall Plate

## Part for STEP 3

**⚠ WARNING:** Before starting assembly, verify this part is undamaged. If damaged, do not return the damaged item to your dealer; contact Customer Service. Never use damaged parts!



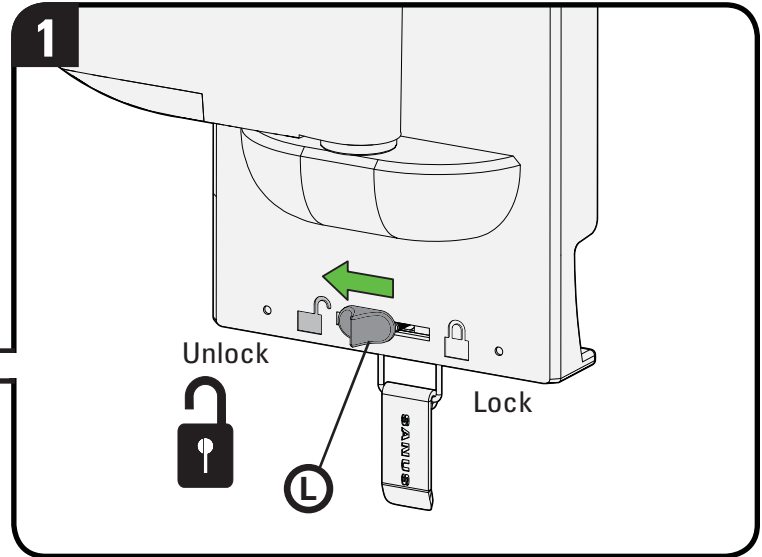
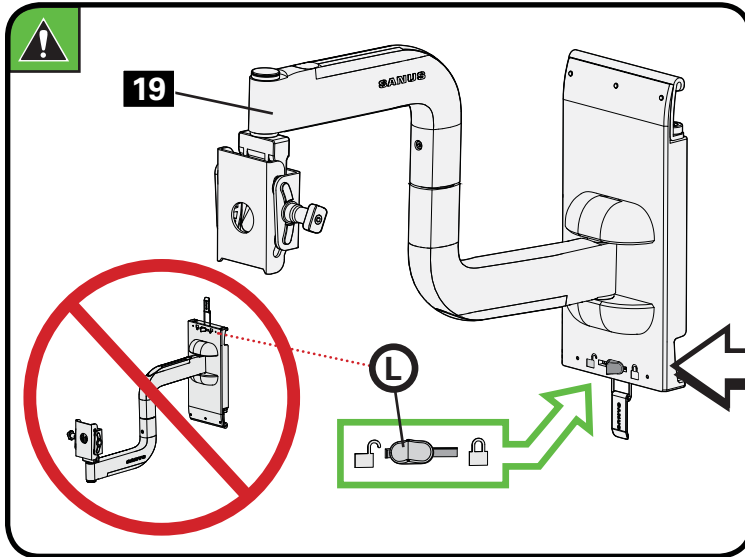
**Arm Assembly**

**19** x1

### 3.1 Attach Arm Assembly to Wall Plate

**⚠ CAUTION:** Avoid potential personal injury or property damage! The arm assembly **19** **MUST BE** installed with the lock lever **L** oriented **on the bottom** as shown.

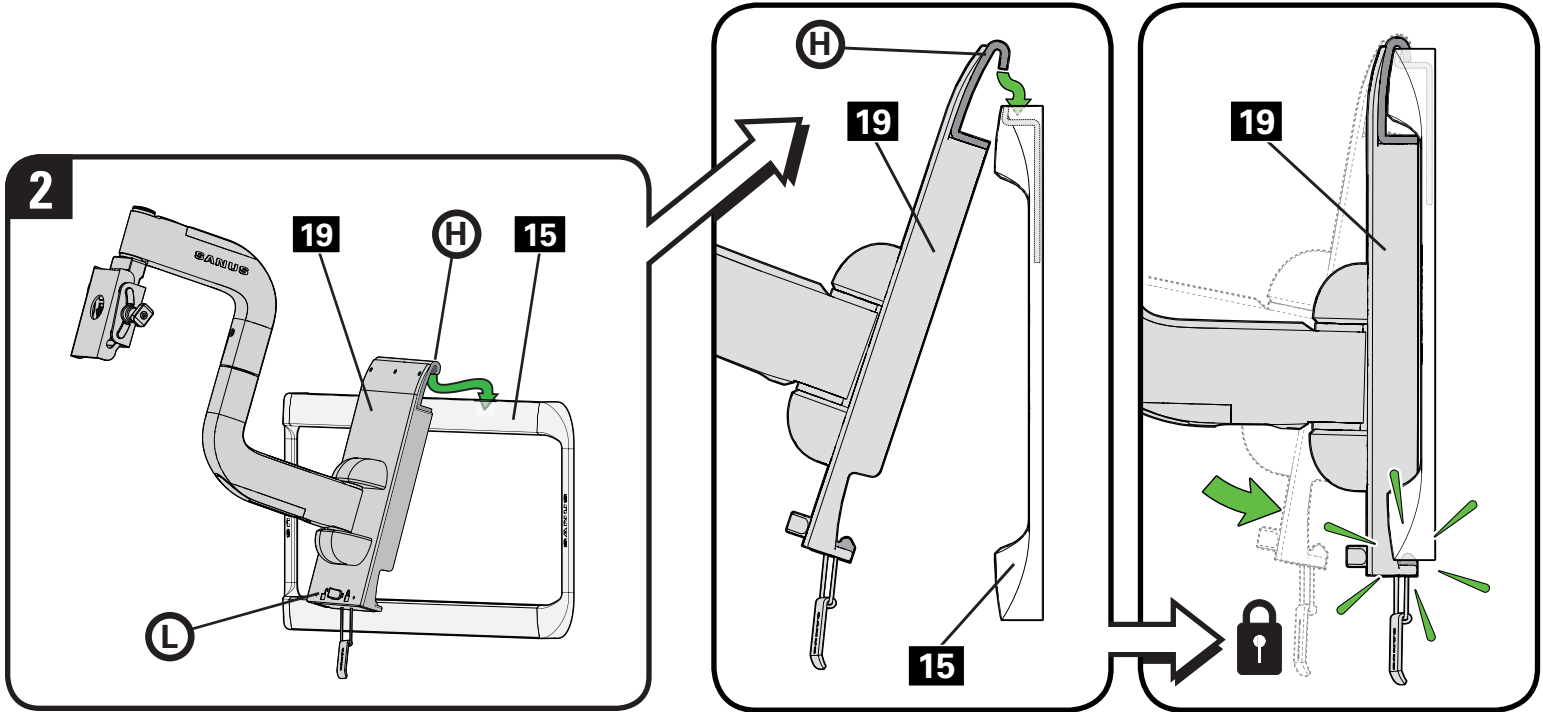
1. Slide the lock lever **L** to the **unlock** position.





**HEAVY!** You may need assistance with this step.

2. Hang the top hook **(H)**, of arm assembly **19**, onto wall plate **15**, then rest the arm assembly into place until you hear the lock click, securing the arm in place.

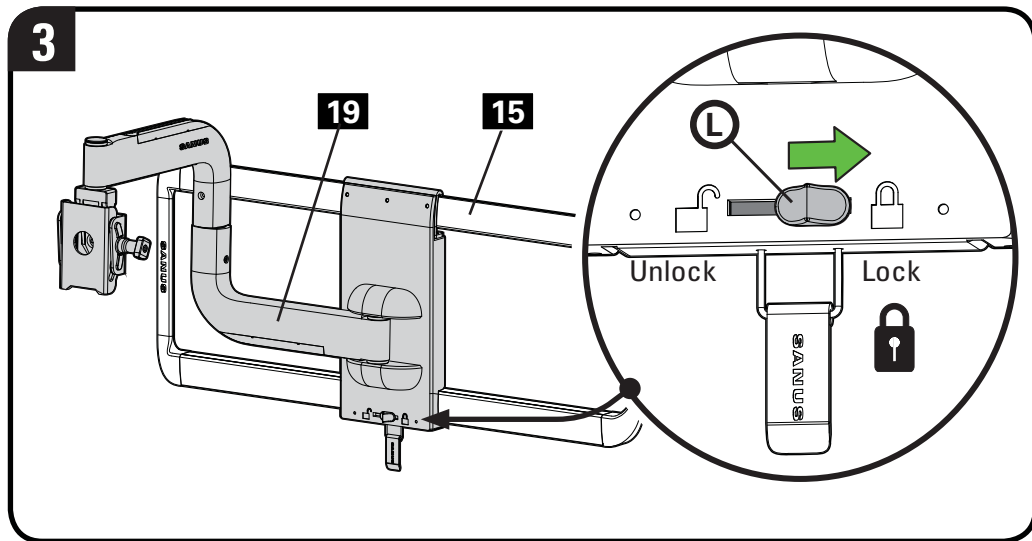
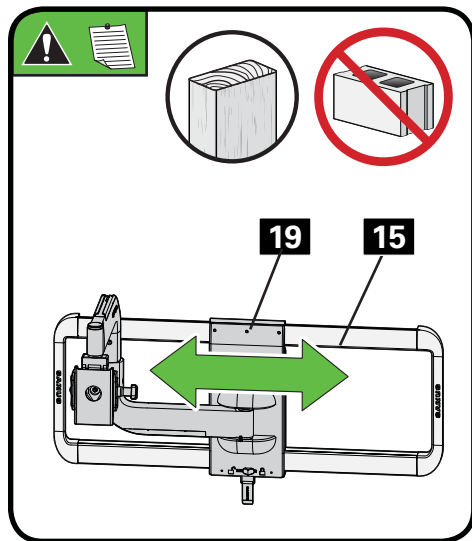


**⚠ CAUTION:** Avoid potential personal injury or property damage! For concrete applications, the arm assembly **19** must remain centered in the wall plate **15**.

**📄 NOTE:** For wood stud applications, the arm assembly **19** can be slid anywhere along the wall plate **15** for optimal positioning of your TV.

3. Lock the arm assembly **19** onto the wall plate **15** by sliding the lock lever **L** to the **lock** position.

**⚠ CAUTION:** Avoid potential personal injury or property damage! Always make sure your arm assembly **19** is in the locked position so the TV is securely fastened to the wall plate **15**.



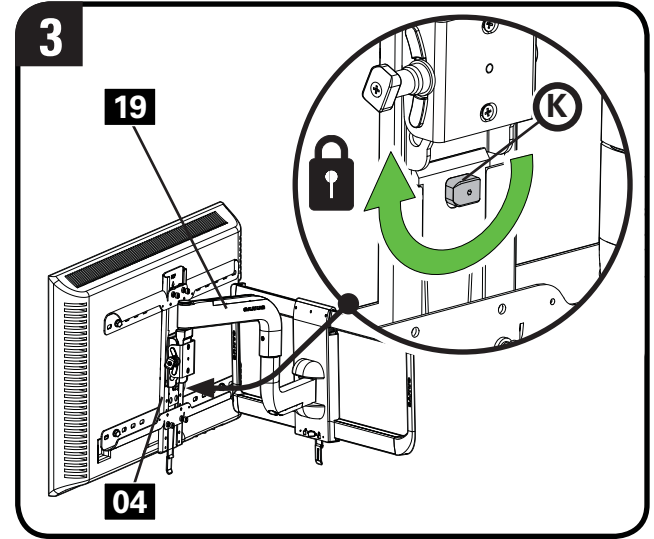
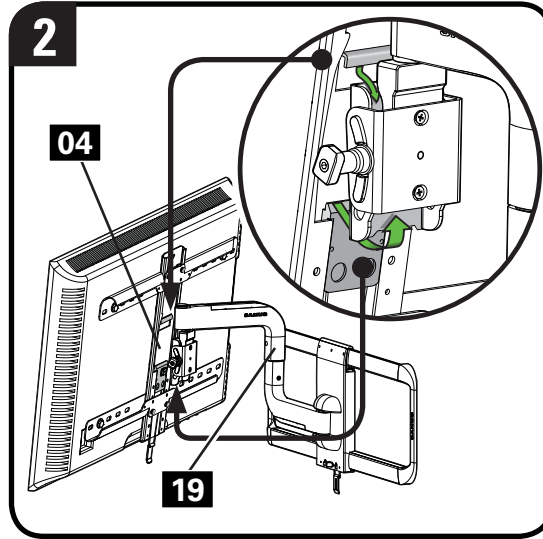
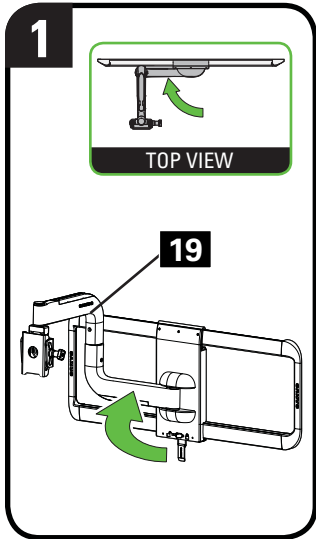
## 3.2 Hang TV onto Arm Assembly



**HEAVY!** You may need assistance with this step.

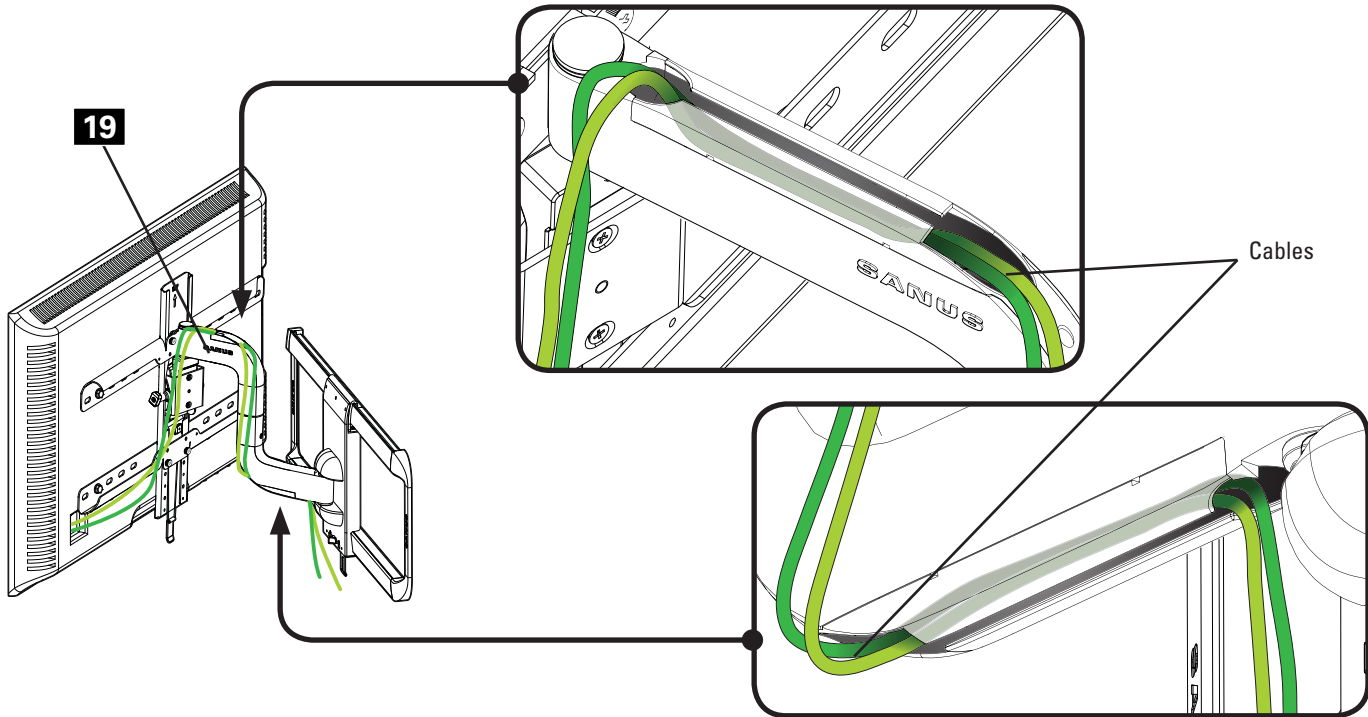
1. Position the arm assembly **19** so the elbow is pressed against the wall.
2. Hang the TV onto the arm assembly **19** by first hooking the top support, then pressing the bottom of the TV into the arm assembly **19** until the lock catches.
3. To lock the TV in place, use your hand to tighten the lock knob **(K)** on the vertical TV bracket **04**.

**⚠ CAUTION:** Avoid potential personal injury or property damage! Always make sure the lock knob **(K)** is tightened so the TV is securely fastened to the arm assembly **19**.

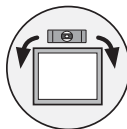


# Manage Cables

Route your TV cables along the arm assembly **19** and press into the channels in the arm as shown.

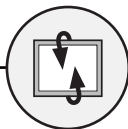
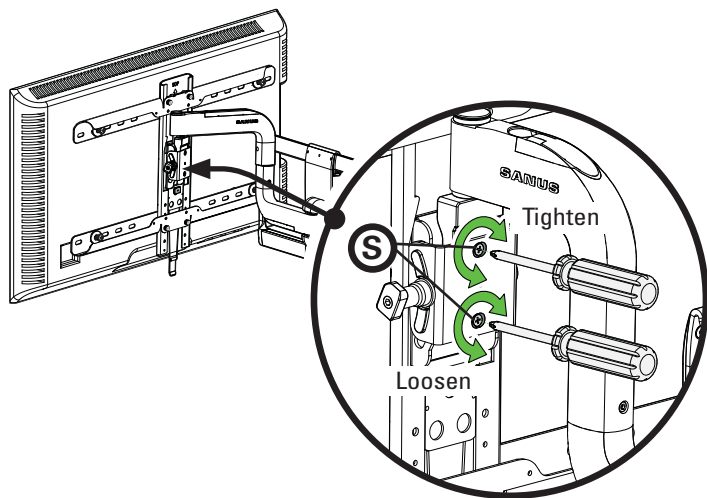


# Adjustments



## LEVEL

Loosen the two level screws **(S)**, adjust your TV, then tighten the two level screws **(S)**.

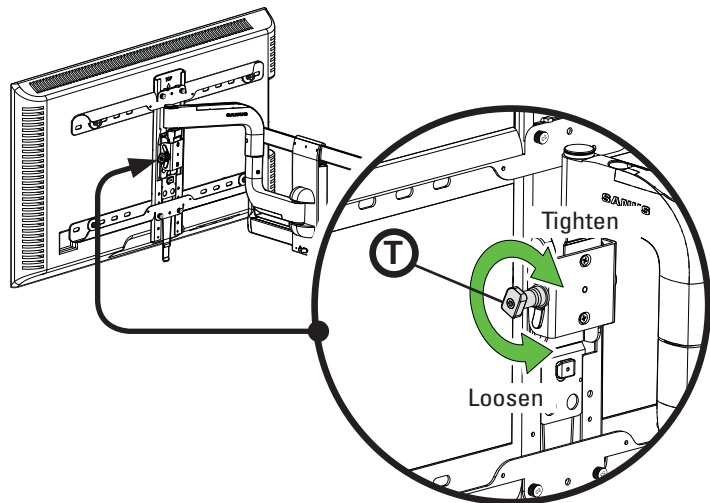


## TILT

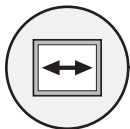
Your TV should adjust easily when moved, then stay in place.

Adjust the tilt tension knob **(T)**, by hand, if your TV naturally tilts up or down.

**NOTE:** If you do not intend to adjust the tilt for different viewing locations, you can tighten the tilt tension knob **(T)** to prevent unwanted movement.







## TV LATERAL SHIFT

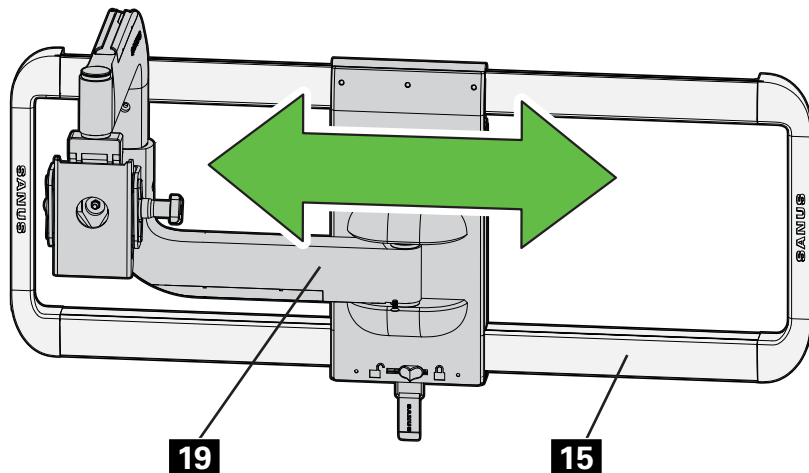


**HEAVY!** You may need assistance with this step.

**⚠ CAUTION:** Avoid potential injuries or property damage! Do NOT adjust the arm position from center for concrete applications. Arm **19** MUST remain centered in wall plate **15** for all concrete applications!

**For wood stud applications ONLY:**

Slide the arm assembly **19** along the wall plate **15** as needed.





## REMOVING THE TV



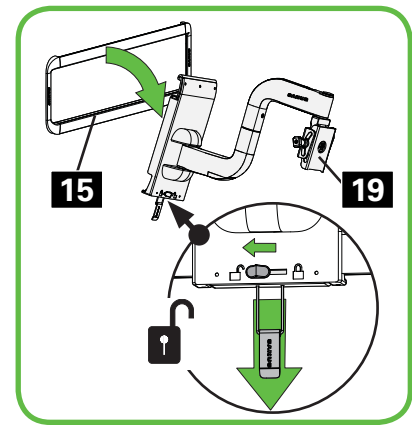
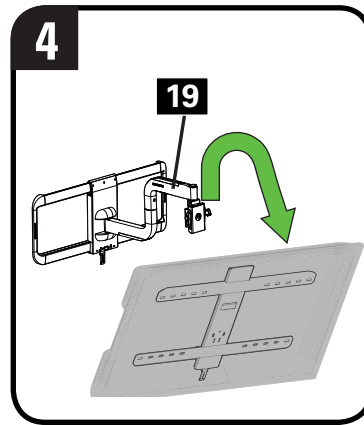
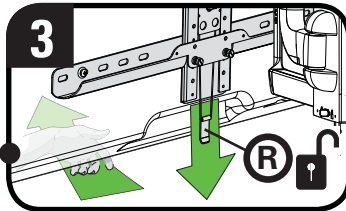
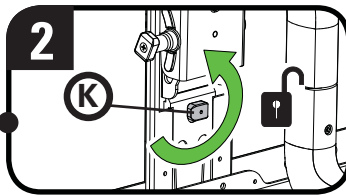
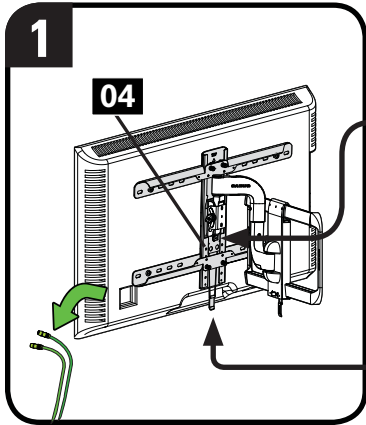
**HEAVY!** You may need assistance with this step.

1. Disconnect all cables from the TV.
2. Loosen the lock knob **(K)** on the vertical TV bracket **04**.
3. Pull the release cord **(R)** on the vertical TV bracket **04** while pulling the bottom of TV from the arm assembly **19**.

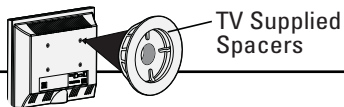
**⚠ CAUTION:** Avoid potential personal injury or property damage! To prevent breaking the locking latch: always pull and hold the release cord **(R)** down while pulling the TV away from arm assembly **19**.

4. Lift the TV and remove from the arm assembly **19**.

**📄 NOTE:** To rehang the TV, follow the procedures in STEP 3.2 on PAGE 23.

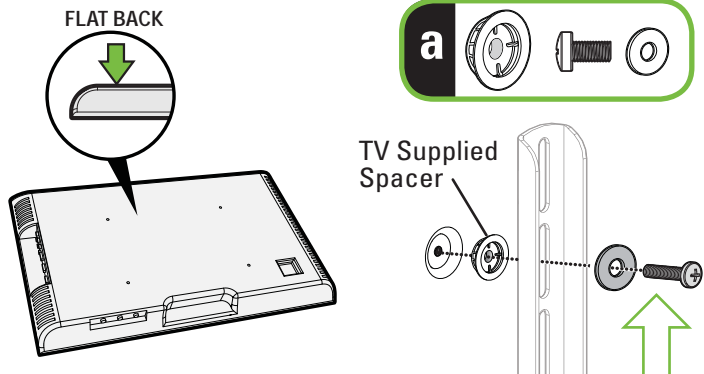


## TV supplied spacers



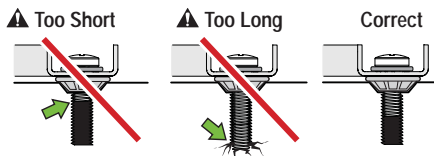
If you are uncertain about your hardware selection, contact Customer Service at 1-800-359-5520.

**a:** Use your TV supplied spacer for flat back TVs (AND you want your TV closer to the wall).



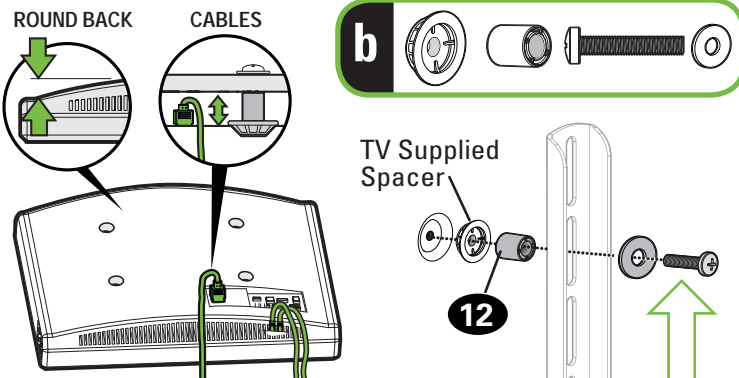
**CAUTION:** Avoid potential injury or property damage! Use the correct screw length for adequate thread engagement.

- Too short will not hold the TV.
- Too long will damage the TV.



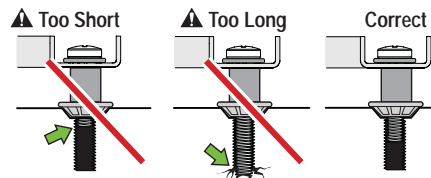
**b:** Use your TV supplied spacer and spacer **12** for:

- Round (irregular) back TVs
- Extra space needed for cables

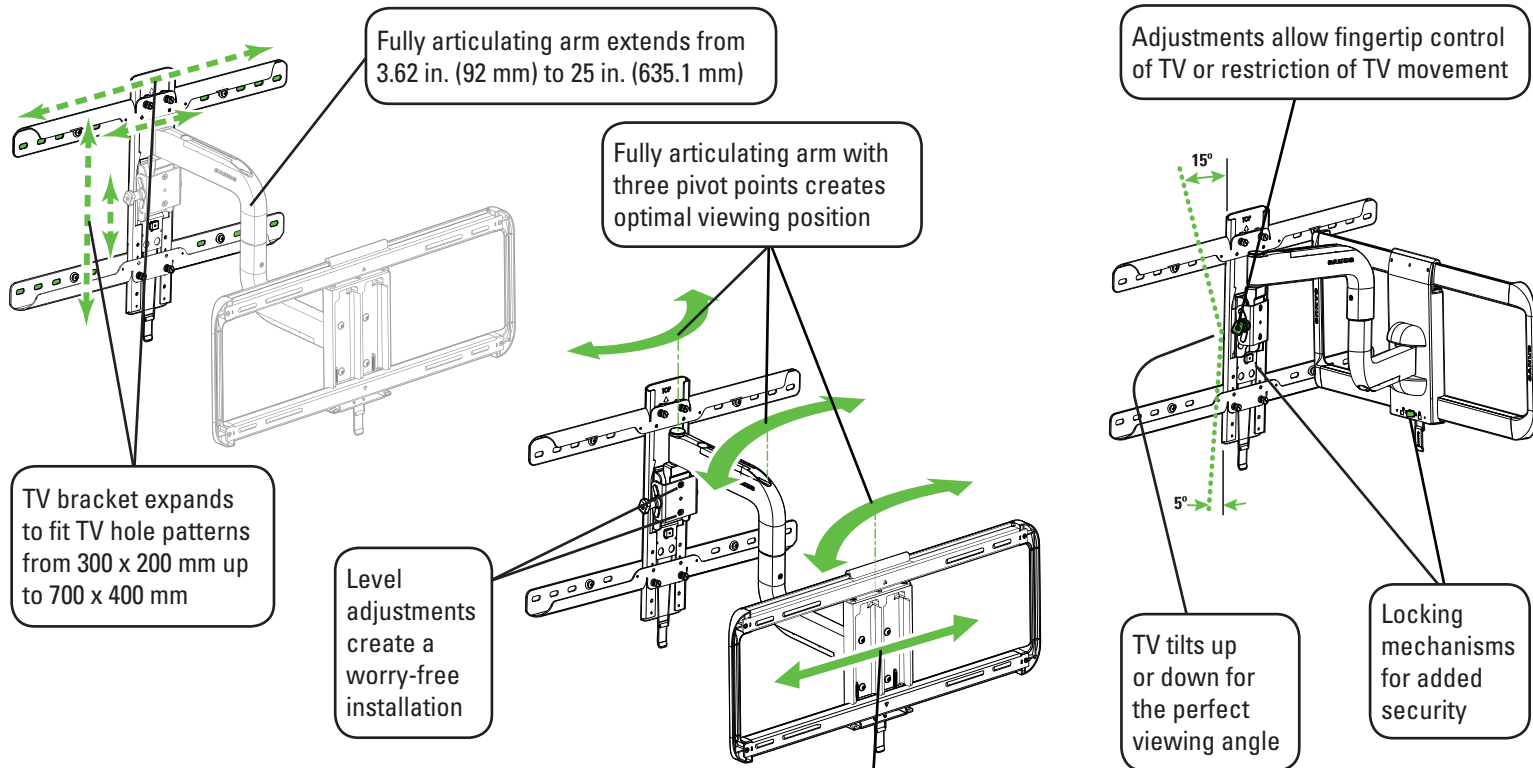


**CAUTION:** Avoid potential injury or property damage! Use the correct screw length for adequate thread engagement.

- Too short will not hold the TV.
- Too long will damage the TV.



# Features



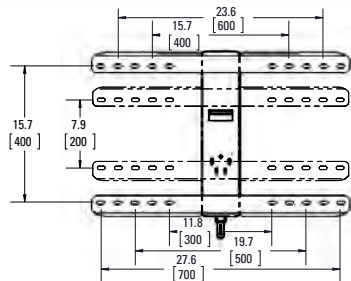
Mounting arm adjusts within the wall plate for optimal positioning

**⚠ CAUTION:** Avoid potential personal injury or property damage! For concrete applications, the arm assembly **19** must remain centered in the wall plate **15**.

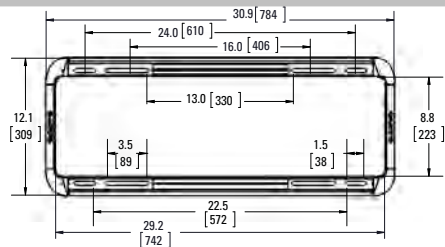
# Dimensions

in. [mm]

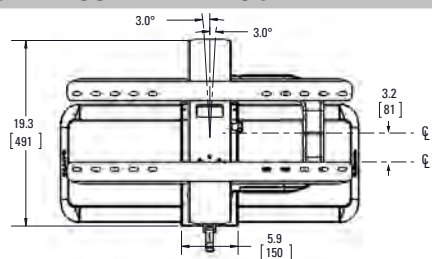
## TV INTERFACE



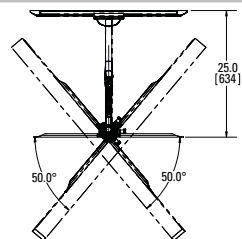
## WALL PLATE



## FULLY ASSEMBLED MOUNT



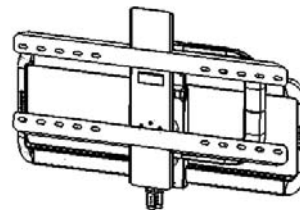
## TOP VIEW - EXTENDED



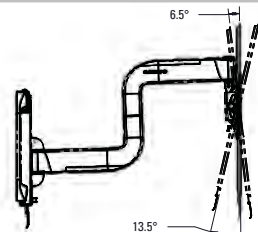
## TOP VIEW - RETRACTED



## 3-D



## SIDE VIEW - EXTENDED



## SIDE VIEW - RETRACTED





Antes de comenzar, verifiquemos que este soporte sea el ideal para sus necesidades.

**1** ¿Su televisor pesa más de 56,7 kg (125 lb), incluidos los accesorios?

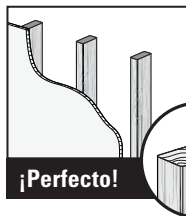


No — ¡Perfecto!

Sí — Este soporte NO es compatible. Visite [MountFinder.Sanus.com](http://MountFinder.Sanus.com) o llame al 1-800-359-5520 (Reino Unido: 0800-056-2853) para encontrar un soporte compatible.

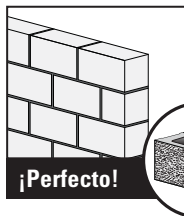
**2** ¿De qué está hecha su pared?

**⚠ PRECAUCIÓN:**  
NO lo instale en tabiques únicamente de yeso



¡Perfecto!

¿Tabiques de yeso con montantes de madera?



¡Perfecto!

¿Hormigón sólido o bloques de cemento?



¿No está seguro?

Llame al 1-800-359-5520  
(Reino Unido: 0800-056-2853)

**3** ¿Tiene todas las herramientas necesarias?



Cinta métrica



Lápiz



Destornillador



Taladro eléctrico



13 mm (1/2")  
Llave de tubo

Paredes con montantes de madera



5,5 mm (7/32")  
Madera  
Broca

Paredes con de hormigón



10 mm (3/8")  
Hormigón  
Broca



Martillo

**4** ¿Listo para comenzar?

Lea estas instrucciones en su totalidad para estar seguro de sentirse cómodo con este fácil proceso de instalación. Consulte también el manual del usuario de su televisor para ver si existe algún requisito especial para instalar su televisor en la pared. Si no entiende las instrucciones o si tiene dudas acerca de la seguridad de la instalación, del ensamblado o del uso del producto, póngase en contacto con el servicio de atención al cliente al 1-800-359-5520 (Reino Unido: 0800-056-2853).

**⚠ PRECAUCIÓN:** Evite posibles lesiones personales y daños materiales.

- Este producto está diseñado para usarse únicamente en aplicaciones con montantes de madera, hormigón y bloques de hormigón. NO lo instale en tabiques únicamente de yeso.
- La pared debe soportar cinco veces el peso del televisor y del soporte juntos.
- No utilice este producto para ningún otro propósito que no sea el explícitamente especificado por el fabricante.
- El fabricante no se responsabiliza por ningún daño o lesión resultante del montaje incorrecto o de uso indebido.



**PASO 1****Colocar las placas de sujeción en el televisor****Piezas y elementos de sujeción para el PASO 1**

**▲ ADVERTENCIA:** Este producto contiene piezas pequeñas que, si fuesen tragadas, podrían producir asfixia. Antes de iniciar el ensamblaje, compruebe que todas las piezas estén incluidas y en buenas condiciones. Si faltan piezas o alguna está dañada, no devuelva el artículo al distribuidor; póngase en contacto con el servicio de atención al cliente. Nunca utilice piezas deterioradas.

**NOTA:** No todos los accesorios incluidos deberán utilizarse.

**1,1 Seleccionar los tornillos del televisor**

Enrosque manualmente los tornillos en los encastres roscados del dorso del televisor a fin de determinar qué diámetro de tornillos (M4, M5, M6 o M8) utilizar.

**▲ PRECAUCIÓN:** Verifique que la combinación de tornillo y separador enrosque correctamente en su televisor. Si el tornillo es demasiado corto, el televisor no se sostendrá; si es demasiado largo, dañará el televisor.

**1,2 Separadores**

Los separadores y tornillos se proporcionan para instalar la placa de sujeción de su televisor.

Determine cuál es su preferencia para la configuración de los separadores al fijar la placa de sujeción de su televisor.

Instale los separadores **12** encima de la placa de sujeción de su televisor, de modo que la placa de sujeción quede cerca de la superficie del televisor para los paneles planos posteriores.

Instale los separadores **12** debajo de la placa de sujeción del televisor para crear más espacio para los televisores con forma irregular en la parte posterior o cables extensos.

**1,3 Fije las placas de sujeción**

1. Deslice la placa **03** en la placa de sujeción superior **01** e instale sin apretar con dos tornillos **13**.
2. Deslice las placas de sujeción superior **01** e inferior **02** sobre los extremos de la placa de sujeción vertical del televisor **04**.
3. Posicione el módulo de la placa de sujeción sobre el patrón de orificios del televisor, céntrelo horizontalmente y coloque sin ajustar la combinación de separador, tornillo y arandela que seleccionó para su televisor.  
**▲ PRECAUCIÓN:** Evite posibles lesiones físicas y daños materiales. El módulo televisor DEBE SER instalado con la cuerda de liberación **(R)** orientada hacia la parte inferior del televisor como se muestra.
4. Centre verticalmente la placa de sujeción del televisor **04**.
5. Alinee visualmente los orificios **(B)** del Localizador en la placa de sujeción inferior **02** con los orificios de la placa de sujeción vertical del televisor **04**, e instale usando dos tornillos **13**. Ajuste los cuatro tornillos **13**.
6. Ajuste los cuatro tornillos (PÁGINA 8) en las placas de sujeción superior **01** e inferior **02** del televisor.

**▲ PRECAUCIÓN:** Evite posibles lesiones físicas y daños materiales. NO utilice un destornillador eléctrico para este paso. Apriete los tornillos sólo hasta el soporte de la TV se fija en su lugar. No apriete demasiado los tornillos M4 **05**.

### Piezas y elementos de sujeción para el PASO 2

**⚠ ADVERTENCIA:** Este producto contiene piezas pequeñas que, si fuesen tragadas, podrían producir asfixia. Antes de iniciar el ensamblaje, compruebe que todas las piezas estén incluidas y en buenas condiciones. Si faltan piezas o alguna está dañada, no devuelva el artículo al distribuidor; póngase en contacto con el servicio de atención al cliente. Nunca utilice piezas deterioradas.

\* **⚠ ADVERTENCIA:** Este producto contiene un imán. Si utiliza un dispositivo médico implantado como un marcapasos o un desfibrilador automático implantable (DAI), los campos magnéticos pueden afectar el funcionamiento de esos dispositivos y causar heridas de gravedad o la muerte. Si tiene un dispositivo médico implantado, mantenga una distancia de al menos 13 cm (5 pulgadas) entre su dispositivo y el imán. Consulte a su médico antes de utilizar este producto.

**📄 NOTA:** No todos los accesorios incluidos deberán utilizarse.

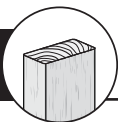
SOLO para instalaciones en hormigón

**⚠ PRECAUCIÓN:** No usar en placas de yeso o montantes de madera

18 x4



## PASO 2A



## Opción para montantes de madera

[Ver página 12](#)

**⚠ PRECAUCIÓN:** Evite lesiones y daños materiales.

- El yeso que recubre la pared no debe exceder los 16 mm (5/8").
- Tamaño mínimo del montante de madera: común 51 mm x 102 mm (2" x 4") (nominal 38 mm x 89 mm (1 1/2" x 3 1/2")).
- Espacio horizontal mínimo entre los elementos de sujeción: 406 mm (16 pulgadas)
- Se deben verificar las partes centrales de los pernos, no todas las paredes tienen una separación convencional de 406 mm (16") o 610 mm (24")

1. Encuentre un clavo/tornillo en los montantes con el detector magnético de bordes de montantes Sanus **16** incluido.
2. Encuentre los bordes de los montantes con el detector magnético de bordes de montantes **16**.
3. Marque los centros de los montantes con un lápiz.
4. Coloque la plantilla de placa mural **14** a la altura que desee y posicione los orificios en forma de ranura sobre las líneas centrales del montante. Nivele la plantilla de la placa mural **14** y fíjela con cinta adhesiva en el lugar.


 **NOTA:** Si necesita ayuda para determinar la ubicación de la placa mural, utilice la herramienta HeightFinder disponible en sanus.com.


 **IMPORTANTE:** Asegúrese de marcar y perforar el centro del montante.

5. Haga los cuatro orificios guía con una mecha de 5,5 mm (7/32") de diámetro.

 **IMPORTANTE:** Los orificios guía deben realizarse hasta una profundidad de 75 mm (3").

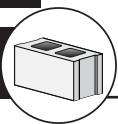
6. Retire la plantilla de la placa mural **14**.
7. Deslice las cubiertas **C** abiertas sobre la placa mural **15** para que los orificios de montaje queden expuestos.
8. Instale los cuatro tornillos tirafondo **17**. Apriete los cuatro tornillos tirafondo **17** hasta que estén nivelados en la placa mural **15**.

 **NOTA:** Sostenga la placa mural **15** en su lugar mientras ajusta el primer perno **17** para evitar que se mueva fuera de su sitio.

 **PRECAUCIÓN:** Evite posibles lesiones personales y daños materiales. Los cuatro tornillos tirafondo **17** DEBEN ESTAR apretados firmemente para evitar que la placa mural se desplace **15**. Asegúrese de que la placa mural está fijada con seguridad a la pared antes de proceder con el siguiente paso.

9. Deslice las cubiertas **C** cerradas sobre la placa mural **15**.

Continúe con el PASO 3 en la PÁGINA 19.



**⚠ PRECAUCIÓN:** Evite lesiones y daños materiales.

- Instale la placa mural **15** directamente sobre la superficie de hormigón.
- Espesor mínimo del hormigón: 203 mm (8")
- Tamaño mínimo del bloque de cemento: 203 x 203 x 406 mm (8" x 8" x 16")
- Espacio horizontal mínimo entre los elementos de sujeción: 610 mm (24")
- Para aplicaciones del hormigón, brazo **19** (PASO 3) debe permanecer en la posición central en la placa mural **15**. Tenga esto en cuenta a la hora de seleccionar la ubicación de la placa mural

1. Coloque la plantilla de la placa mural **14** en la pared a la altura que desee. Nivele la plantilla de la placa mural y marque la ubicación de los orificios.

**NOTA:** Si necesita ayuda para determinar la ubicación de la placa mural, utilice la herramienta HeightFinder disponible en sanus.com.

2. Haga los cuatro orificios guía con una mecha de 10 mm (3/8") de diámetro.

**! IMPORTANTE:** Los orificios guía deben realizarse hasta una profundidad de 75 mm (3"). Nunca perfora el cemento que une los bloques.

3. Retire la plantilla de la placa mural **14** e inserte cuatro anclajes **18**.

**⚠ PRECAUCIÓN:** Cerciórese de que los anclajes **18** queden nivelados respecto de la superficie de hormigón.

4. Deslice las cubiertas **C** abiertas sobre la placa mural **15** para que los orificios de montaje queden expuestos.

5. Instale los cuatro tornillos tirafondo **17**. Apriete los cuatro tornillos tirafondo **17** hasta que estén nivelados en la placa mural **15**.

**NOTA:** Sostenga la placa mural **15** en su lugar mientras ajusta el primer perno **17** para evitar que se mueva fuera de su sitio.

**⚠ PRECAUCIÓN:** Evite posibles lesiones personales y daños materiales. Los cuatro tornillos tirafondo **17** DEBEN ESTAR apretados firmemente para evitar que la placa mural se desplace **15**. Asegúrese de que la placa mural está fijada con seguridad a la pared antes de proceder con el siguiente paso.

6. Deslice las cubiertas **C** cerradas sobre la placa mural **15**.

## PASO 3

## Fijar el televisor a la placa mural

Ver página 19



¡ELEMENTO PESADO! Es posible que necesite ayuda en este paso.

## Piezas para el PASO 3

**⚠ ADVERTENCIA:** Antes de iniciar el ensamblaje, compruebe que esta pieza esté en buenas condiciones. Si está dañada, no devuelva el artículo al distribuidor; póngase en contacto con el servicio de atención al cliente. Nunca utilice piezas deterioradas.

## 3,1 Fijar el módulo del brazo a la placa mural

**⚠ PRECAUCIÓN:** Evite posibles lesiones físicas y daños materiales. El módulo del brazo (19) DEBE SER instalado con la palanca de bloqueo (L) orientada hacia la parte inferior como se muestra.

1. Deslice la palanca de bloqueo (L) a la posición de desbloqueo.
2. Cuelgue el módulo del brazo 19 sobre la placa mural 15; para ello, primero enganche el soporte superior (H), luego apoye el brazo en su lugar hasta que escuche el clic que indica que quedó en su lugar.

**⚠ PRECAUCIÓN:** Evite el riesgo de lesiones y daños materiales. Para aplicaciones del hormigón, brazo 19 (PASO 3) debe permanecer en la posición central en la placa mural 15.

**📄 NOTA:** Para aplicaciones de madera, el módulo del brazo 19 puede deslizarse a lo largo de la placa mural 15 para un posicionamiento óptimo del televisor.

3. Bloquee el módulo del brazo 19 sobre la placa mural 15; para ello deslice la palanca de bloqueo (L) a la posición de bloqueo.

**⚠ PRECAUCIÓN:** Evite el riesgo de lesiones y daños materiales. Siempre asegúrese de que el brazo 19 esté en la posición bloqueada para que el televisor quede bien sujeto a la placa mural 15.

## 3,2 Colgar el televisor en el módulo del brazo

1. Coloque el módulo del brazo 19 de modo que el codo quede presionado contra el muro.
2. Cuelgue el televisor en el módulo del brazo 19; para ello, primero enganche el soporte superior, luego presione la parte inferior del televisor hacia el módulo del brazo 19 hasta que las presillas de queden bloqueadas.
3. Para bloquear el televisor en su lugar, use su mano para ajustar la perilla de bloqueo (K) sobre la placa de sujeción vertical del televisor 04.

**⚠ PRECAUCIÓN:** Evite el riesgo de lesiones y daños materiales. Siempre asegúrese de que el botón de bloqueo (K) se apretado abrochado para que el televisor esté firmemente sujeto al conjunto del brazo 19.

## Organizar los cables

Ver página 24

Pase los cables del televisor a lo largo del módulo del brazo **19** y presiónelos sobre los canales del brazo como se muestra.

## Ajustes

Ver página 25

### NIVEL

---


Afloje dos tornillos de nivel **(S)**, ajuste su televisor, luego ajuste los dos tornillos de nivel **(S)**.

### INCLINACIÓN

---

El televisor debe acomodarse fácilmente al moverlo y luego quedar en su lugar.

Si su televisor se inclina naturalmente hacia arriba o hacia abajo, ajuste la perilla de tensión de inclinación **(T)** con la mano.

 **NOTA:** Si no tiene la intención de ajustar la inclinación para los diferentes puntos de visualización, puede ajustar las perillas de tensión de inclinación **(T)** para evitar movimientos indeseados.

## DESPLAZADOR LATERAL DEL TELEVISOR



**¡ELEMENTO PESADO!** Es posible que necesite ayuda en este paso.

**▲ PRECAUCIÓN:** Evite el riesgo de lesiones y daños materiales. NO ajuste la posición del brazo desde la posición central para aplicaciones del hormigón.

Brazo **19** debe permanecer en la posición central en la placa mural **15** para todas las aplicaciones del hormigón!

Para aplicaciones de madera:

Deslice el módulo del brazo **19** junto con la placa mural **15** según sea necesario.

## EXTRACCIÓN DEL TELEVISOR



**¡ELEMENTO PESADO!** Es posible que necesite ayuda en este paso.

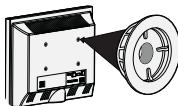
1. Desconecte todos los cables del televisor.
2. Afloje la perilla de bloqueo **(K)** que se encuentra en la placa de sujeción vertical del televisor **04**.
3. Tire del cordón de desenganche **(R)** de la placa de sujeción vertical del televisor **04** mientras tira de la parte inferior del televisor desde el módulo del brazo **19**.

**▲ PRECAUCIÓN:** Evite el riesgo de lesiones y daños materiales. Para que el pasador de seguridad no se rompa, siempre jale y sostenga del cordón de desenganche **(R)** mientras retira el televisor de la del brazo **19**.

4. Levante el televisor y retírelo del módulo del brazo **19**.

 **NOTA:** Para volver a colocar el televisor, siga el procedimiento de los PASOS 3,2 en la PÁGINA 23.

**Para televisores que incluyen separadores insertados o aros adaptadores para soportes murales.**



los separadores proporcionados con el televisor

Si tiene dudas sobre la elección de los elementos de fijación, contáctese con el servicio de atención al cliente. 1-800-359-5520 (Reino Unido: 0800-056-2853)

**a.** Use los separadores proporcionados con el televisor, si el dorso del televisor es plano (Y usted quiere que su TV más cerca de la pared).

**▲ PRECAUCIÓN:** Verifique el enrosque adecuado del tornillo o del conjunto tornillo/separador.

— Si es demasiado corto, no sostendrá el televisor.

— Si es demasiado largo, dañará el televisor.

**b.** Use los separadores proporcionados con el televisor y los separadores Sanus **12** para:

- televisores con dorso irregular o redondeado
- dejar un espacio adicional para cables

**▲ PRECAUCIÓN:** Verifique el enrosque adecuado del tornillo o del conjunto tornillo/separador.

— Si es demasiado corto, no sostendrá el televisor. — Si es demasiado largo, dañará el televisor.



## Descripción

Ver página 29

La placa de sujeción se expande para adecuarse a televisores con patrones de orificios de 200 x 200 mm hasta 700 x 400 mm.

El brazo completamente articulado se extiende de 92 mm (3,5") a 381 mm (15").

El brazo completamente articulado crea un movimiento de 3 puntos para alcanzar una posición de visualización óptima.

El ajuste del nivel crea una instalación sencilla.

Los ajustes permiten controlar o restringir el movimiento del televisor con las yemas de los dedos.

El brazo de montaje se puede ajustar en la placa mural para un posicionamiento óptimo.

**⚠ PRECAUCIÓN:** Evite el riesgo de lesiones y daños materiales. Para aplicaciones del hormigón, brazo **19** (PASO 3) debe permanecer en la posición central en la placa mural **15**.

El televisor se inclina hacia arriba y hacia abajo para obtener el ángulo de visualización perfecto.

Los mecanismos de bloqueo brindan una mayor seguridad.

## Dimensione **in. [mm]**

Ver página 30

Milestone AV Technologies and its affiliated corporations and subsidiaries (collectively, “Milestone”), intend to make this manual accurate and complete. However, Milestone makes no claim that the information contained herein covers all details, conditions, or variations. Nor does it provide for every possible contingency in connection with the installation or use of this product. The information contained in this document is subject to change without notice or obligation of any kind. Milestone makes no representation of warranty, expressed or implied, regarding the information contained herein. Milestone assumes no responsibility for accuracy, completeness or sufficiency of the information contained in this document.

Milestone AV Technologies y sus empresas asociadas y filiales (colectivamente “Milestone”) tienen la intención de que este manual sea preciso y completo. Sin embargo, Milestone no garantiza que la información que contiene incluya todos los detalles condiciones y variaciones, ni que contemple toda posible contingencia en conexión con la instalación y uso de este producto. La información contenida en este documento es susceptible de ser modificada sin aviso ni obligación de ningún tipo. Milestone no hace ninguna manifestación de garantía, explícita o implícita, respecto a la información contenida este documento. Milestone no asume ninguna responsabilidad por la exactitud, integridad o suficiencia de la información contenida en este documento.

# FOLLOW **SANUS** ON YOUR FAVORITE SOCIAL NETWORKS!

[FACEBOOK.COM/SANUSSYSTEMS](https://www.facebook.com/sanusystems)



Learn ways to get the most out of your space.  
Find product updates and more.

[TWITTER.COM/SANUSSYSTEMS](https://twitter.com/sanusystems)



Learn installation tips, tricks and household know-hows.

[YOUTUBE.COM/SANUSSYSTEMS](https://www.youtube.com/sanusystems)



View step-by-step product videos to ease your install experiences.  
Find the latest news stories about your favorite SANUS products.

# REGISTER YOUR NEW **SANUS** PRODUCT!

1

By registering, you'll be entered to win, and will receive the latest product updates, design tips, and other ways to enhance your life in your home.

2

Visit **SANUS.com/register** to complete your registration and start enjoying all of the benefits SANUS has to offer.

3

Leave a product review and let us know how your install went!



If you ever have questions about your SANUS product, give us a call at 1-800-359-5520. We're ready to help!  
'Monthly prize' rules and restrictions apply. Visit [SANUS.com](http://SANUS.com) for more info.

800-359-5520 (UK: 0800-056-2853) • [info@sanus.com](mailto:info@sanus.com) • [sanus.com](http://sanus.com)

©2015 Milestone AV Technologies. All rights reserved. SANUS is a division of Milestone.  
All other brand names or marks are used for identification purposes and are trademarks of their respective owners.

SANUS • 6436 City West Parkway • Eden Prairie, MN 55344 USA

6901-002524 00