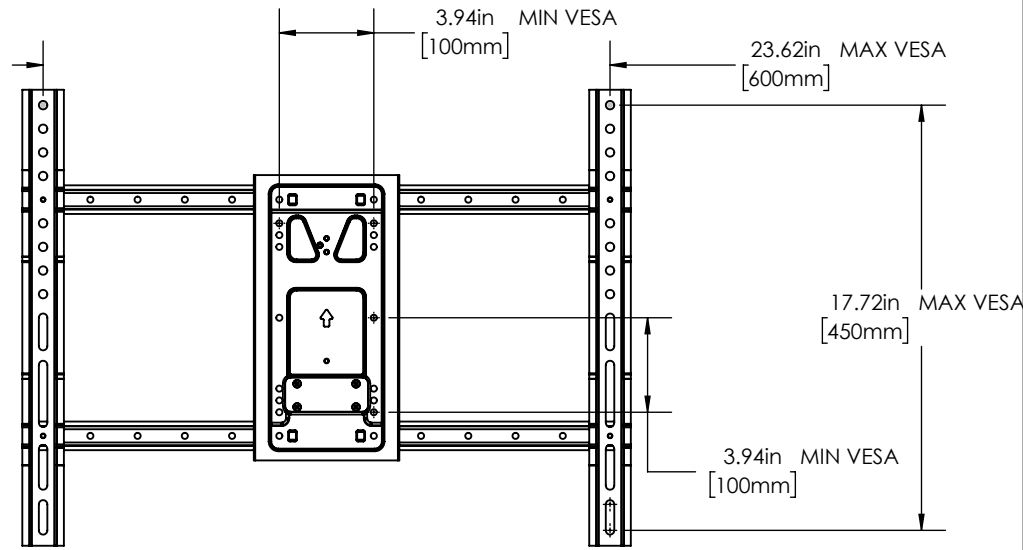


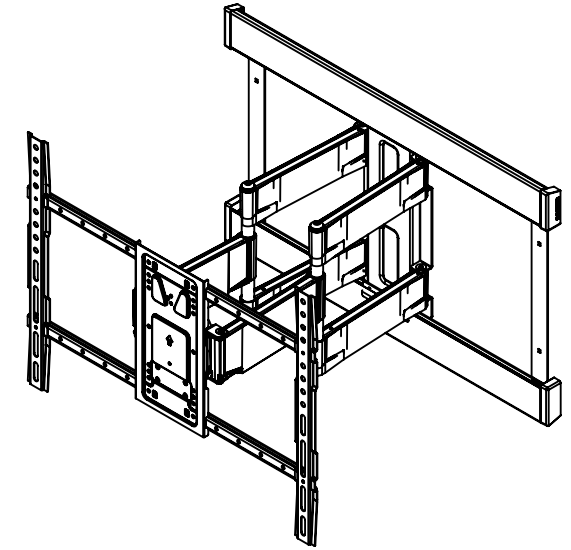
### TV INTERFACE



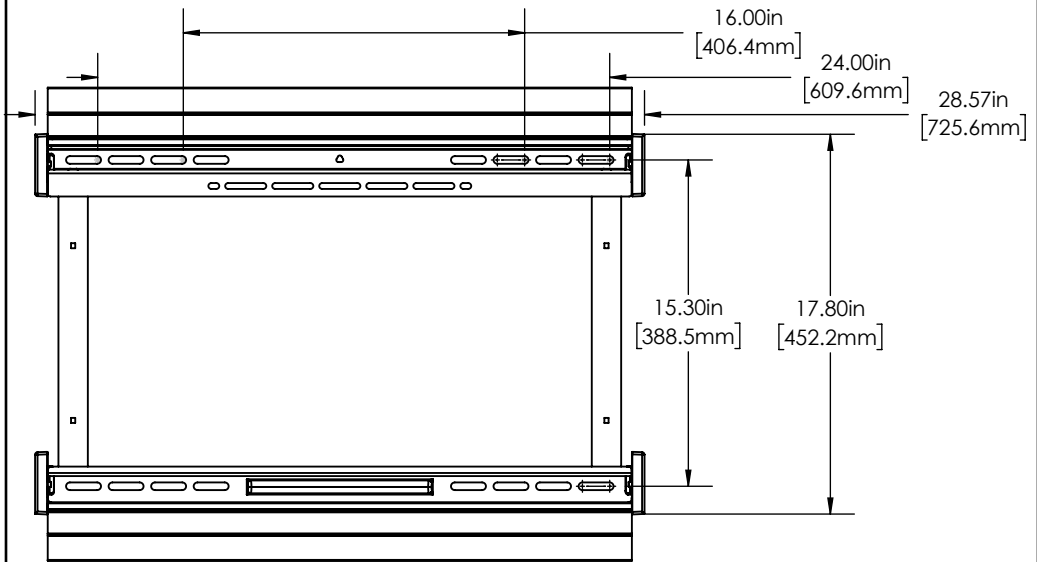
## SUPER SLIM FM 1.64" / 20" EXT 6805-002450-XXX

THE INFORMATION AND DESIGNS CONTAINED IN THIS DRAWING ARE CONFIDENTIAL AND THE PROPRIETARY PROPERTY OF LEGRAND | AV. NEITHER THIS DESIGN NOR ANY INFORMATION CONTAINED IN THIS DRAWING MAY BE REPRODUCED OR DISCLOSED TO OTHERS WITHOUT THE EXPRESS WRITTEN CONSENT OF LEGRAND | AV.  
本图纸所包含的信息和设计均系 LEGRAND | AV 机密和知识产权。本图纸包含的设计和信息未经 LEGRAND | AV 书面同意均不得复制或泄露给他人。

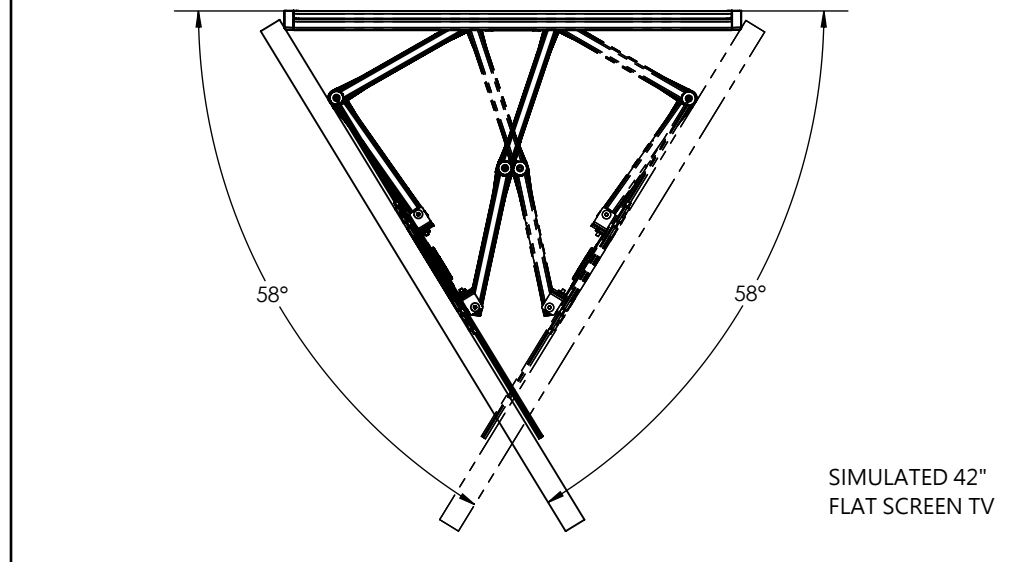
### 3-D



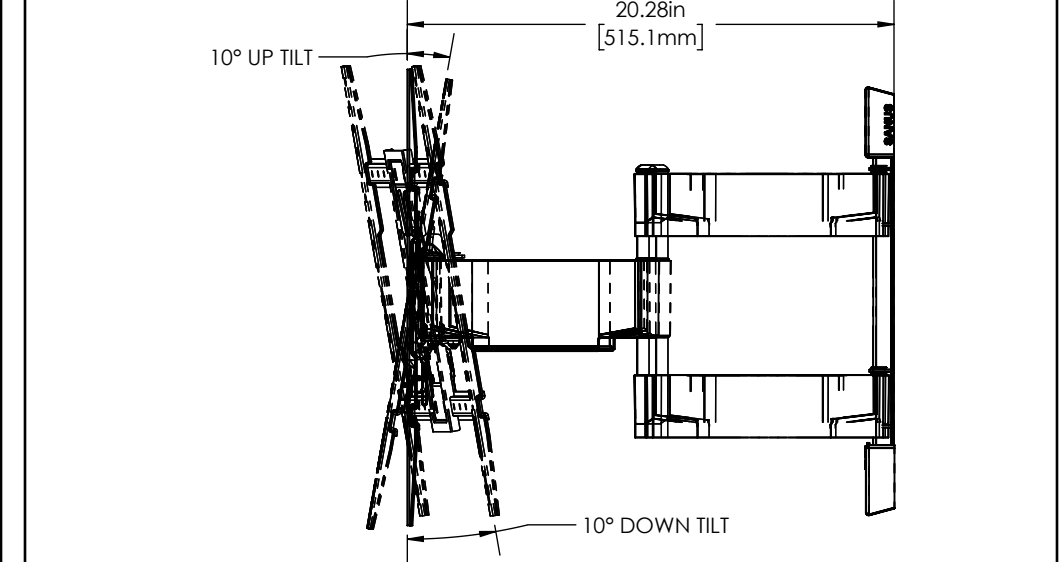
### WALL PLATE



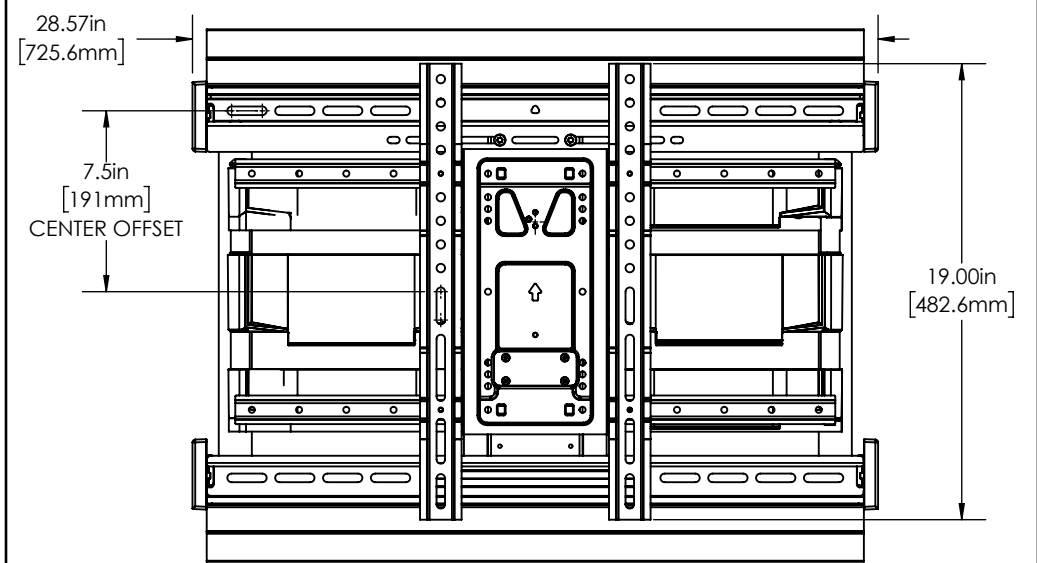
### TOP VIEW - EXTENDED



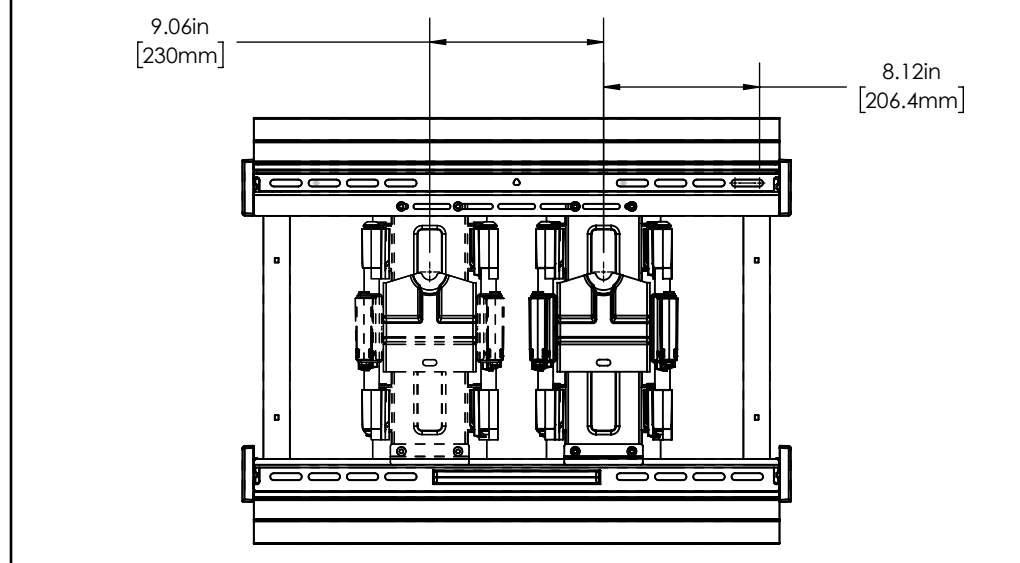
### SIDE VIEW - EXTENDED



### FULLY ASSEMBLED MOUNT



### FRONT VIEW - LATERAL SHIFT



### SIDE VIEW RETRACTED



# SUPER SLIM FM 1.64" / 20" EXT 6805-002450-XXX

