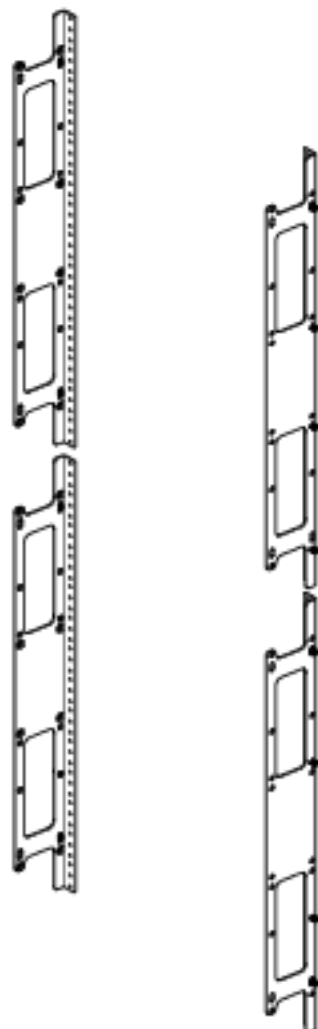




CFA56RR Instruction Manual



We are here to help!
Please contact Customer Service with any questions.

Sanus

2221 Hwy 36 West
Saint Paul, MN 55113 USA

Customer Service

Americas: 800-359-5520 • 651-484-7988 • info@sanus.com
Europe, Middle East, and Africa: + 31 40 2324700 • europe.sanus@milestone.com
Asia Pacific: 86 755 8996 9226 • sanus.ap@milestone.com

sanus.com

©2010 Milestone AV Technologies, a Duchossois Group Company.
All rights reserved. Sanus is a division of Milestone.

All other brand names or marks are used for identification purposes and are trademarks of their respective owners.

6901-002106 <00>

CFA56RR

IMPORTANT SAFETY INSTRUCTIONS – SAVE THESE INSTRUCTIONS – PLEASE READ ENTIRE MANUAL BEFORE USING THIS PRODUCT

Specifications:

- ✦ Max. Wgt. Capacities: Total loaded weight not to exceed 300 lb (136 kg)
- ✦ Follow manufacturers weight restriction for shelves.

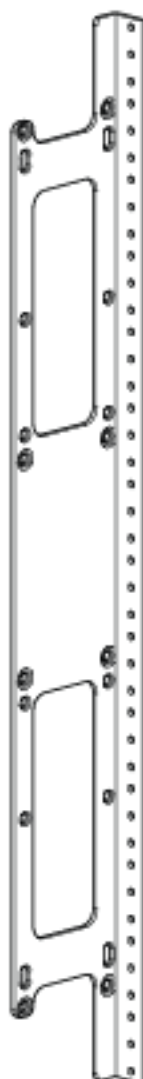
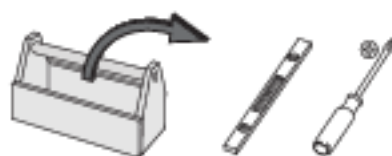
▲ CAUTION:

- ✦ Using with products heavier than the maximum weight indicated may result in instability and possible injury.
- ✦ 50% of the total weight should be mounted in the lower 1/3 of the rack.

Supplied Parts and Hardware

▲ WARNING: This product contains small items that could be a choking hazard if swallowed.

Before starting assembly, verify all parts are included and undamaged. If any parts are missing or damaged, do not return the damaged item to your dealer; contact Customer Service. Never use damaged parts!



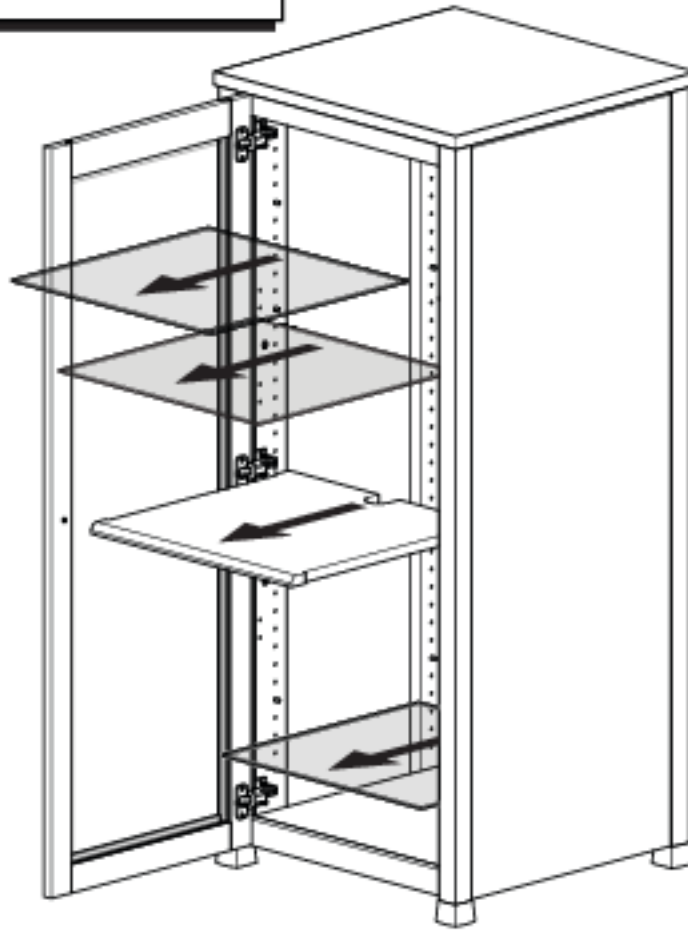
[01] x 4



[02] x 16

Preparation 1

Remove any components and/or shelves before installation of rack rails.

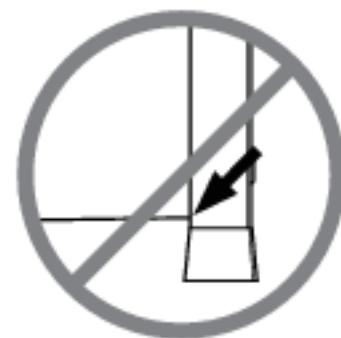


Make Sure the Unit is Level 2

The bottom of the frame must be level with the top of the feet. If the unit is level, go to **Step 4**. If the unit is not level, go to **Step 3**.



Front View



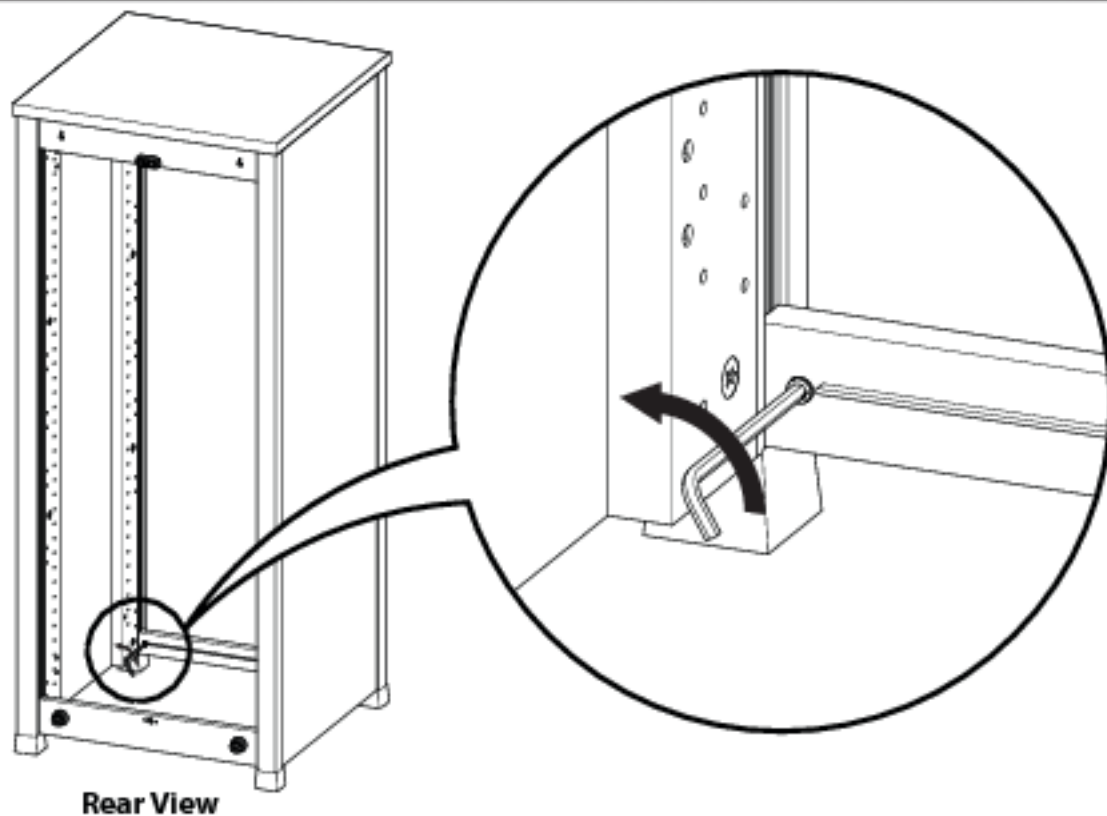
Side View

3 Level Unit if Needed

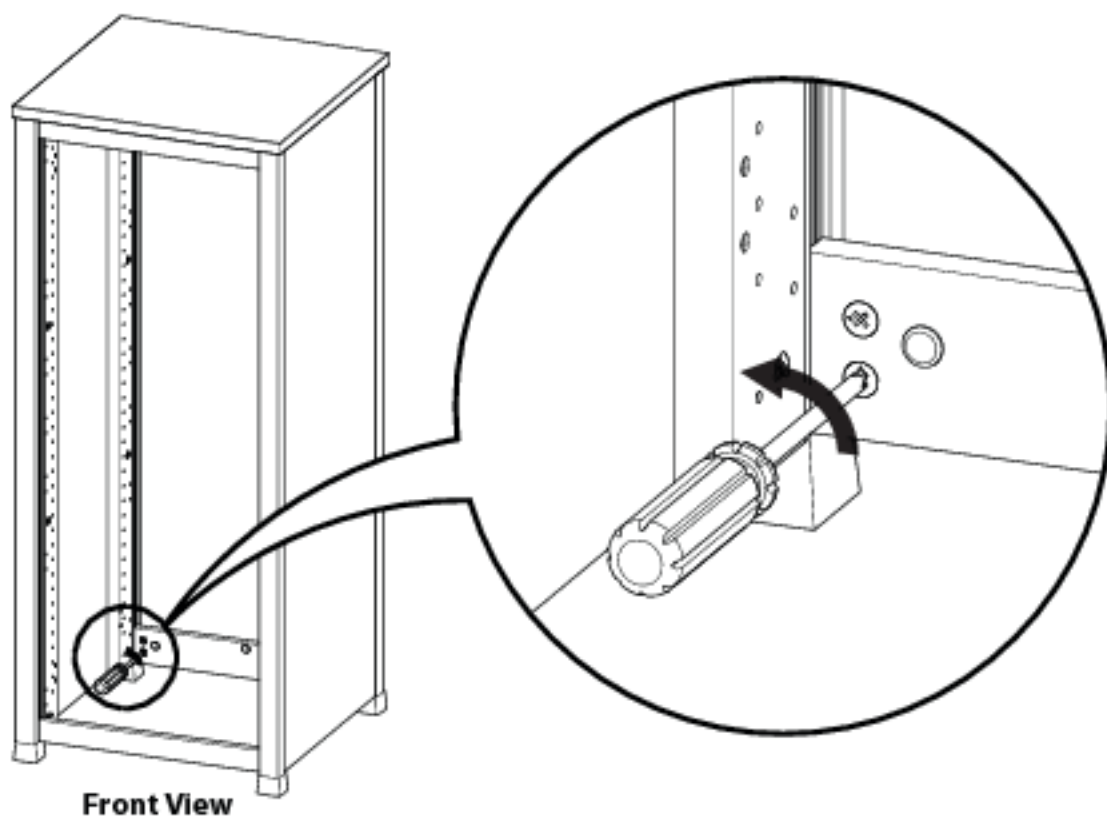


If the unit is not level, loosen the cam locks in the back braces and the set screws in the front braces and adjust the unit until the bottom of the frame is level with the top of the feet.

For further information refer to the the manual for the CFA56 which can be obtained at:
<http://www.sanus.com/us/en/products/av-foundations/av-component/CFA56>



Rear View

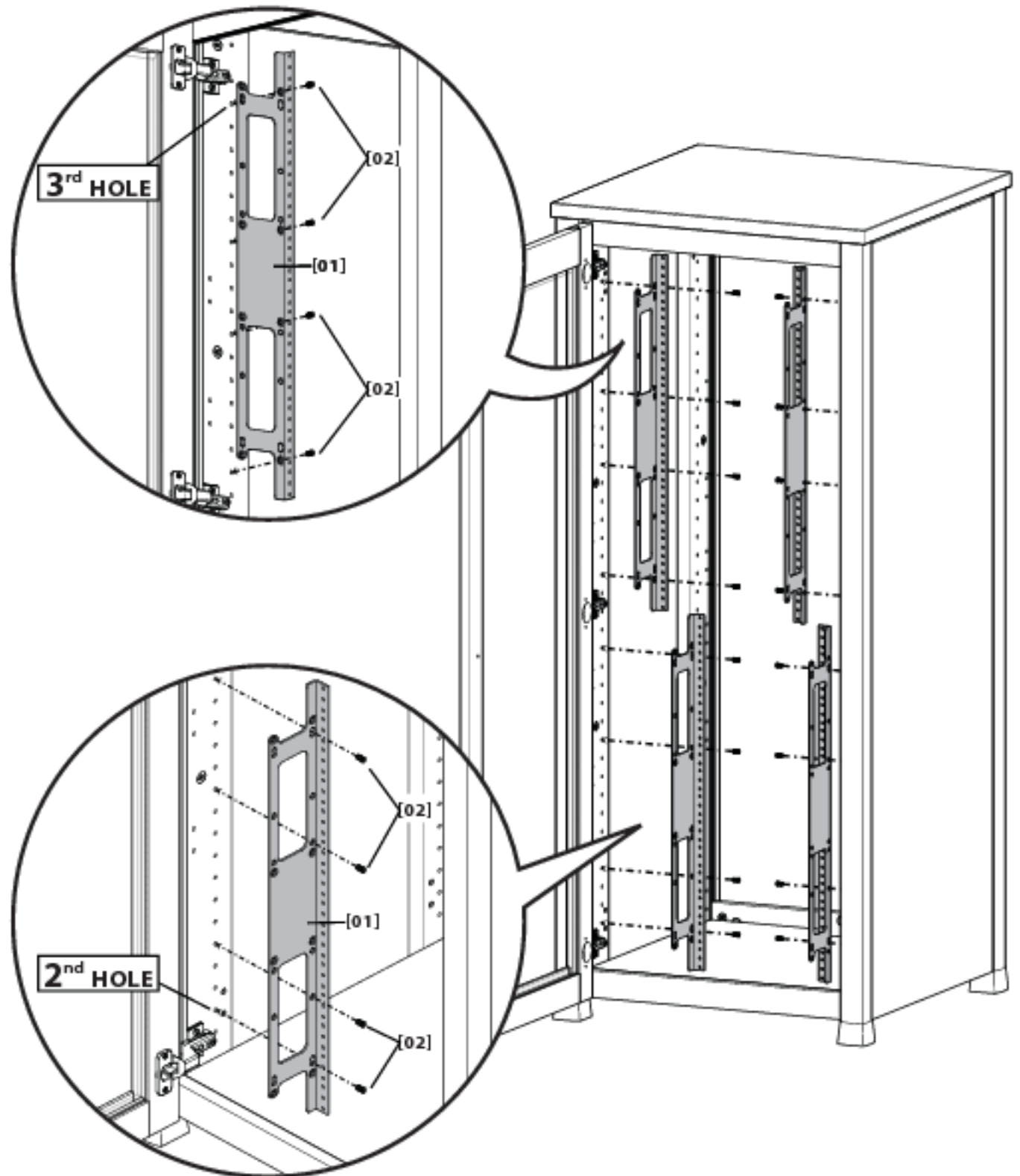


Front View



Rack Rail Installation - Option 1 with Door **4**

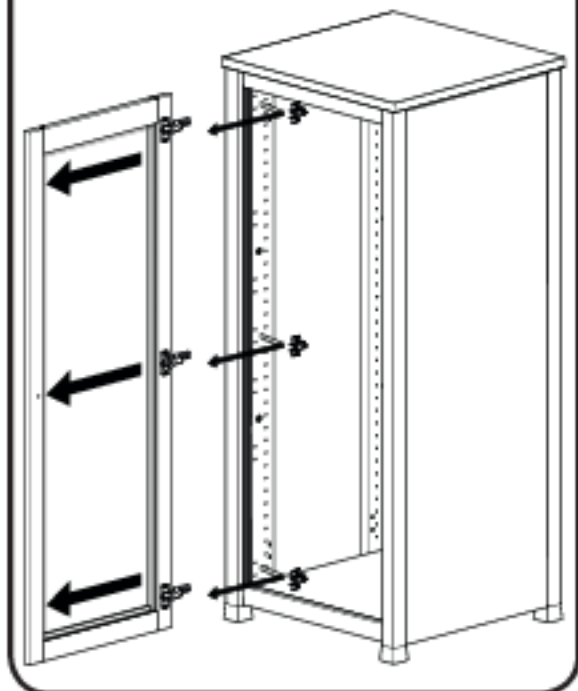
Install the four rack rails [01] using the sixteen screws [02] onto the front of the frame as illustrated. The top rail will start on the third hole down from the top and the bottom rail will start on the second hole up from the bottom. Note the difference in the orientation of the rails between **Option 1 with Door** and **Option 2 without Door**.



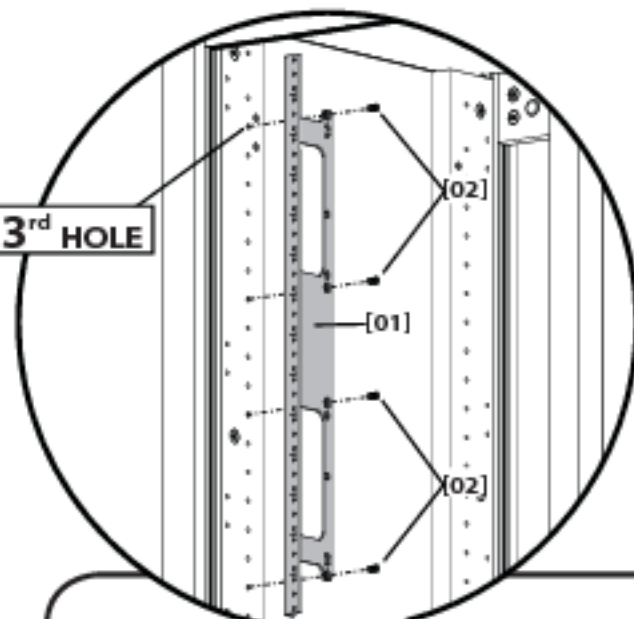
4 Rack Rail Installation - Option 2 without Door



If the door will not be used, remove the door and hinges at this time.

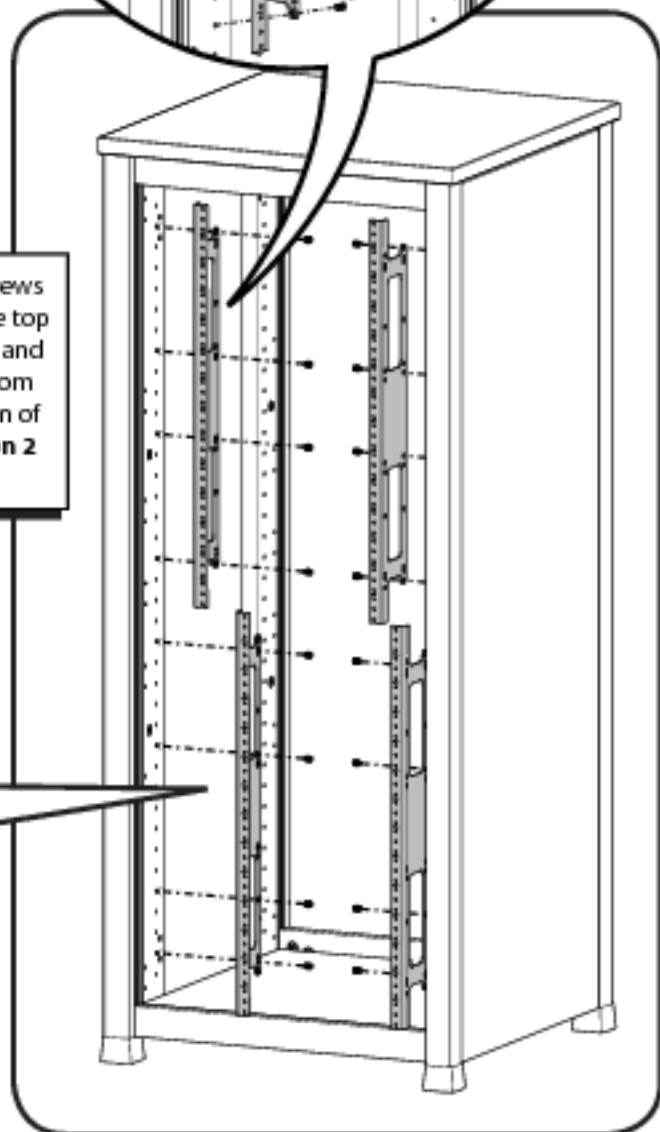
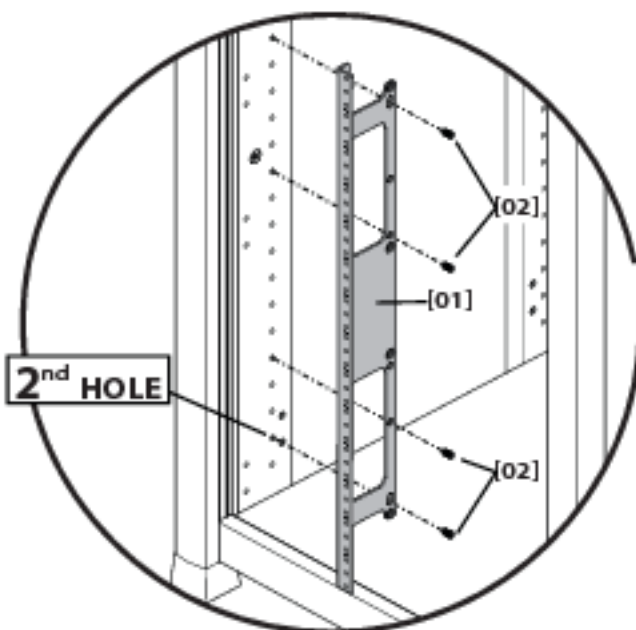


3rd HOLE



Install the four rack rails [01] using the sixteen screws [02] onto the front of the frame as illustrated. The top rail will start on the third hole down from the top and the bottom rail will start on the second hole up from the bottom. Note the difference in the orientation of the rails between **Option 1 with Door** and **Option 2 without Door**.

2nd HOLE



Milestone AV Technologies and its affiliated corporations and subsidiaries (collectively, "Milestone"), intend to make this manual accurate and complete. However, Milestone makes no claim that the information contained herein covers all details, conditions, or variations. Nor does it provide for every possible contingency in connection with the installation or use of this product. The information contained in this document is subject to change without notice or obligation of any kind. Milestone makes no representation of warranty, expressed or implied, regarding the information contained herein. Milestone assumes no responsibility for accuracy, completeness or sufficiency of the information contained in this document.