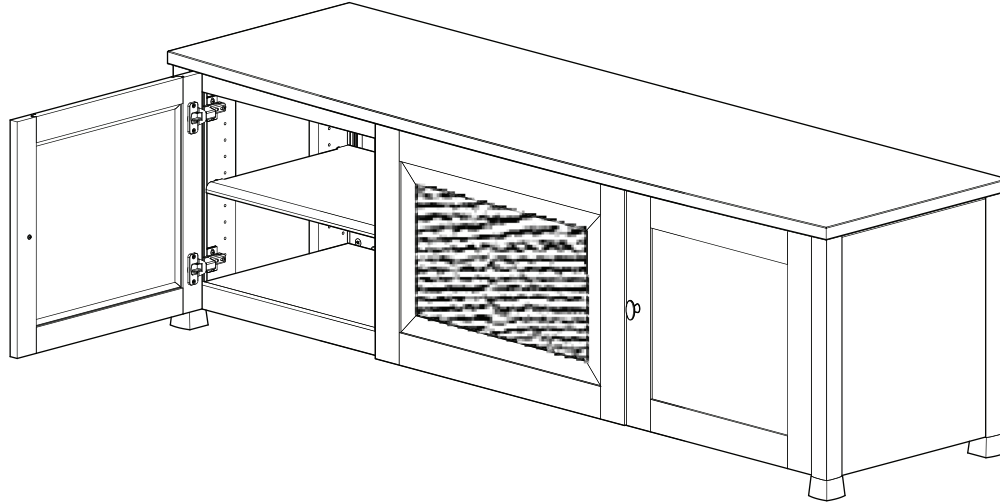


SANUS | SYSTEMS

CFV69

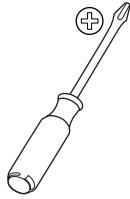
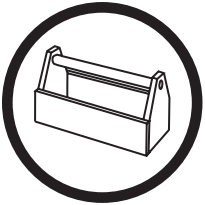
(6901-100022 <04>)



Thank you for choosing Sanus Systems Component Furniture. The CFV69 is designed to house and display components up to a maximum weight of 124.7 kg (275 lbs) on the top, and 22.6 kg (50 lbs) on each of the middle and bottom shelves.

CAUTION

Do not use this product for any purpose not explicitly specified by Sanus Systems. Improper assembly may cause property damage or personal injury. If you do not understand these directions, or have doubts about the safety of the assembly, contact Sanus Systems Customer Service or call a qualified contractor. Sanus Systems is not liable for damage or injury caused by incorrect assembly or use.



Supplied Parts and Hardware

Before starting assembly, verify all parts are included and undamaged. If any parts are missing or damaged, do not return the item to your dealer; contact Sanus Systems Customer Service. Never use damaged parts!

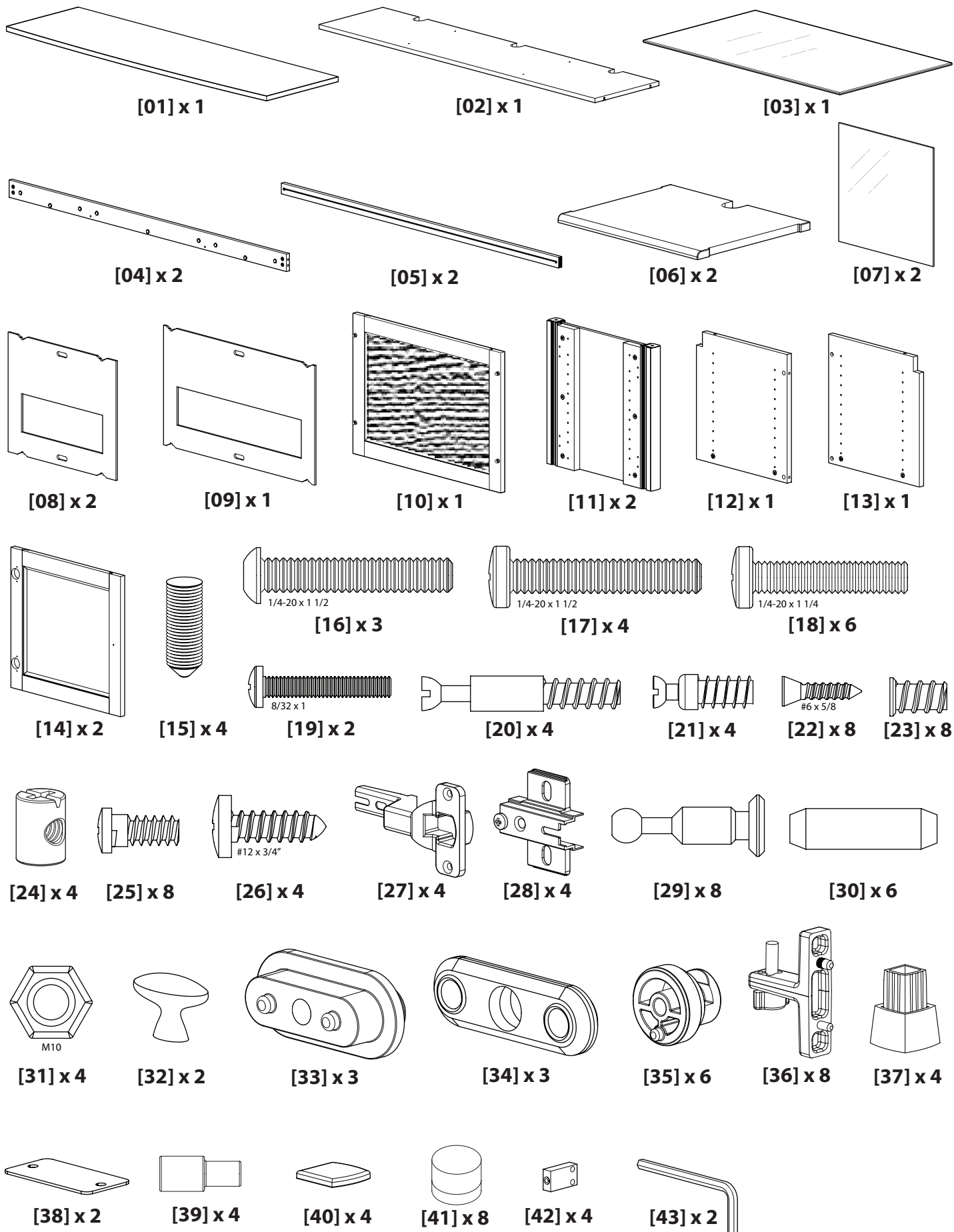


WARNING

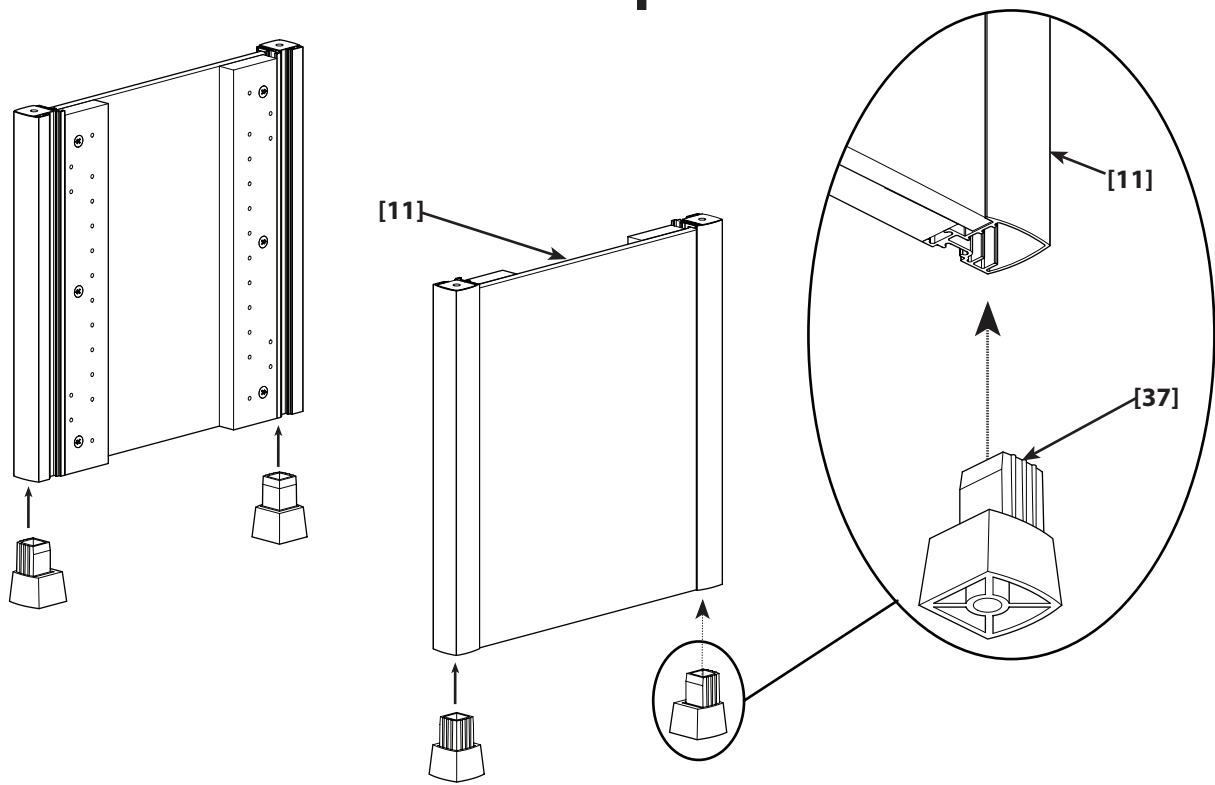
This product contains small items that could be a choking hazard if swallowed. Keep these items away from young children!



Hardware and procedures for multiple mounting configurations are included. When you see this symbol, choose the correct configuration to suit your needs. Not all hardware included will be used.

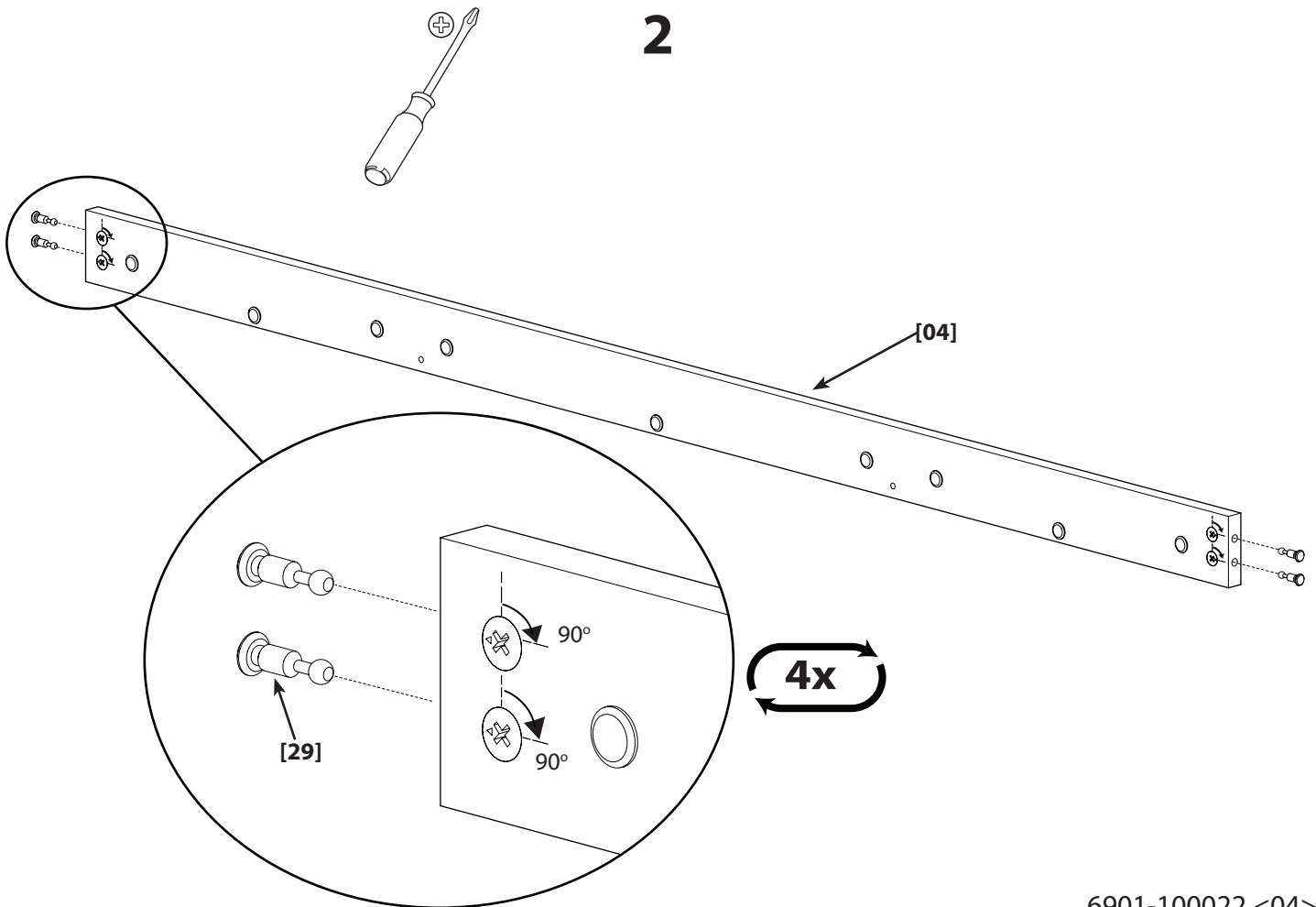


1

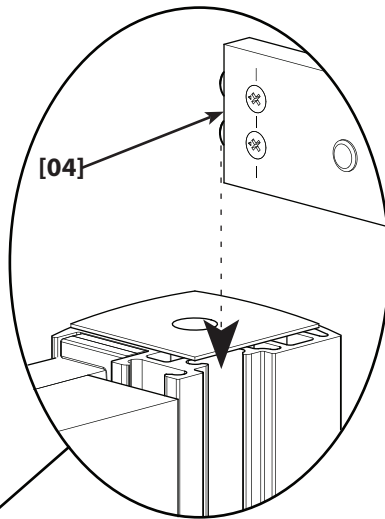
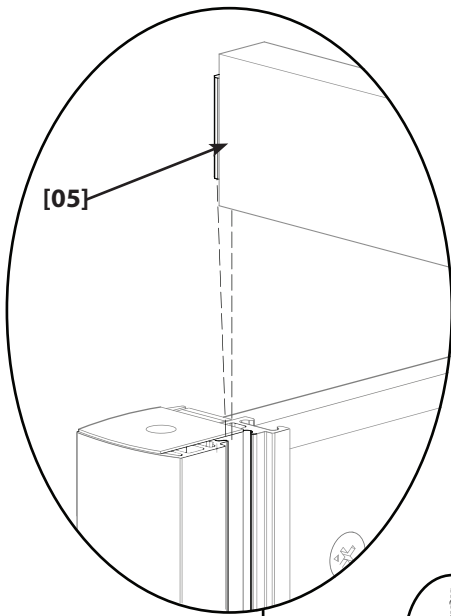
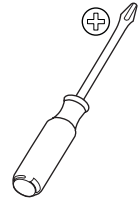


NOTE: The bottoms of the side panels are even. Be sure to attach feet to the even bottoms of the side panels.

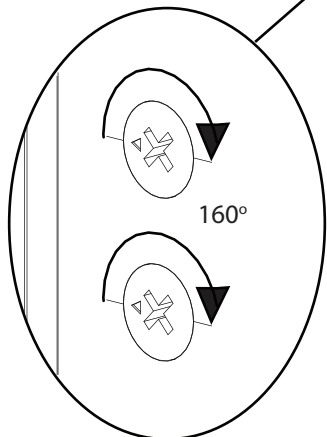
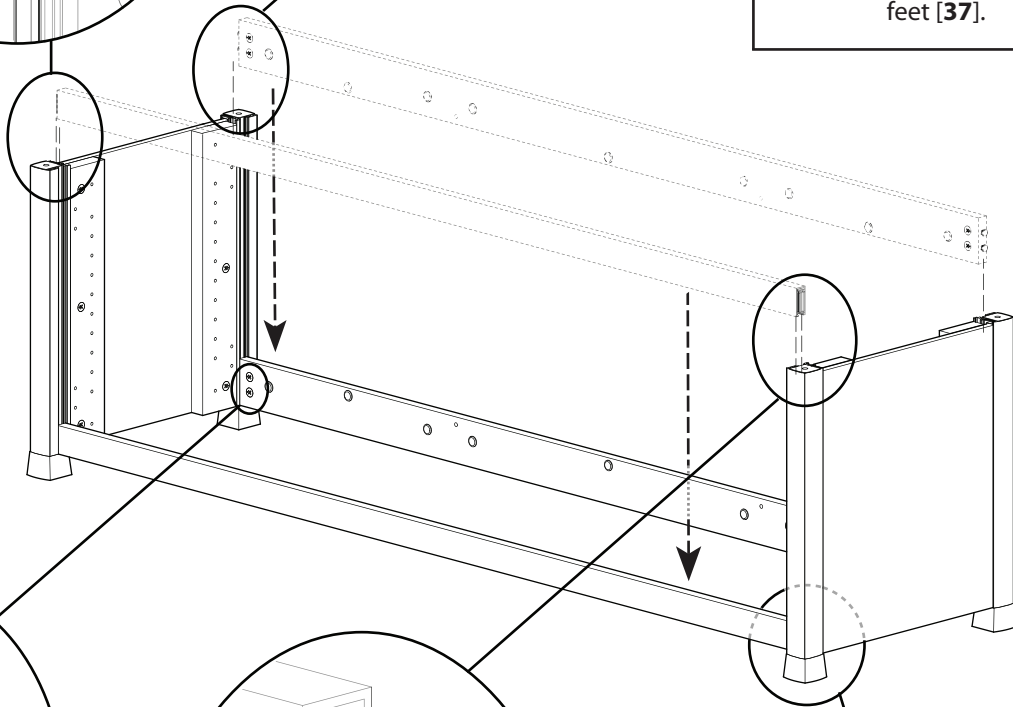
2



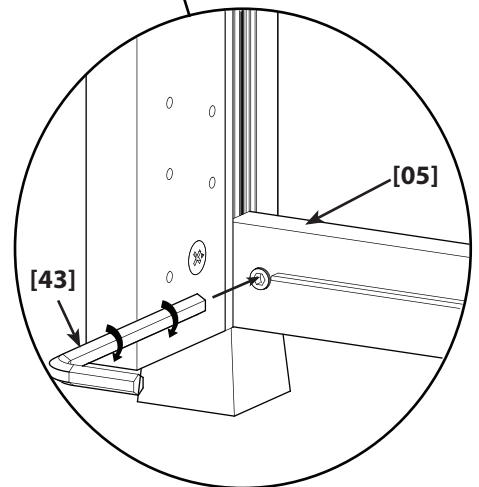
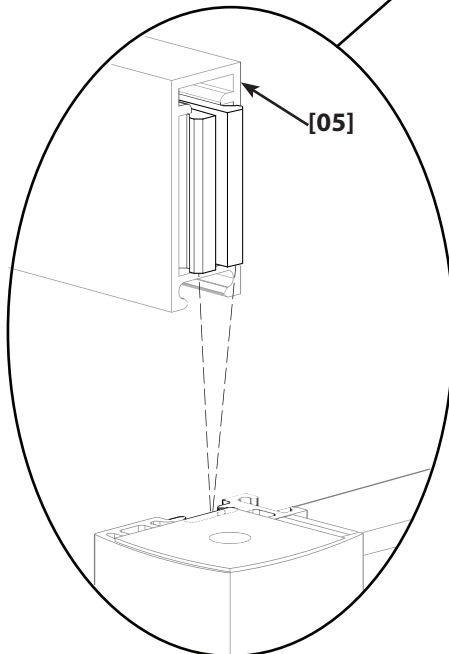
2.1



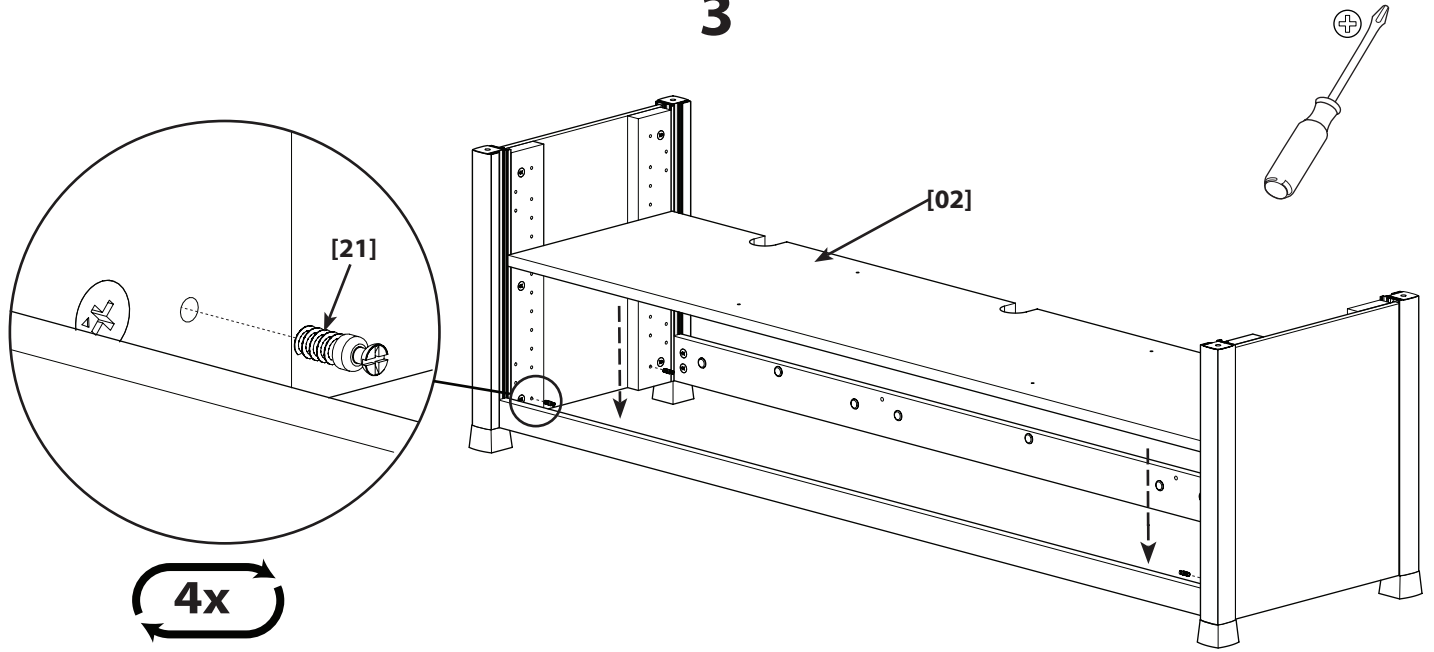
CAUTION
Add only the two bottom braces (**04**, **05**) at this time. Braces must be inserted as shown. Once in place, be sure the bottom braces are even with the tops of the feet [**37**].



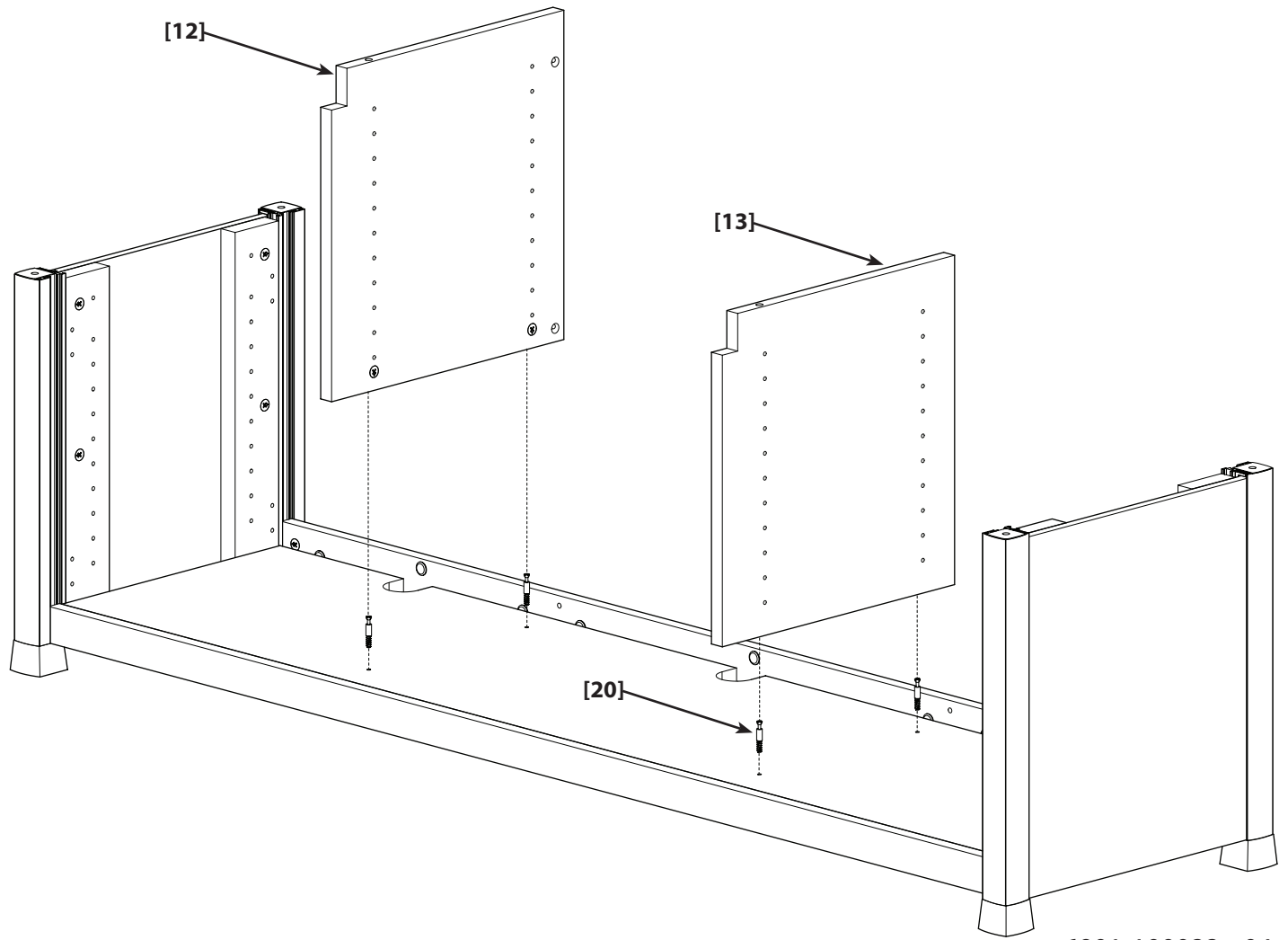
8x



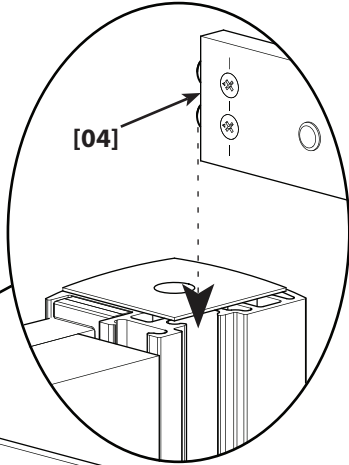
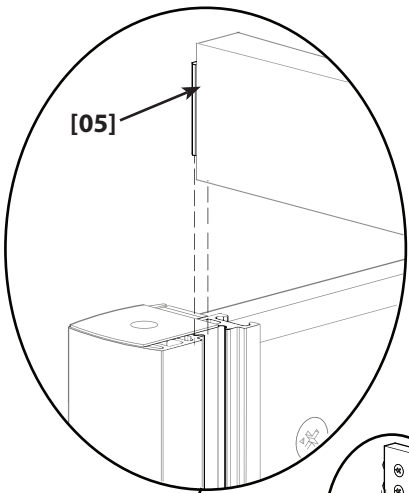
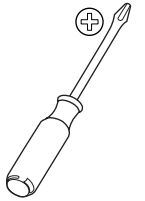
3



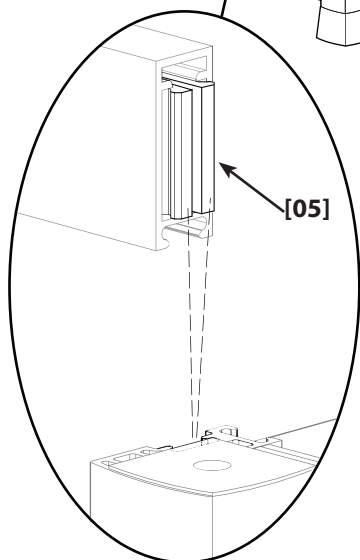
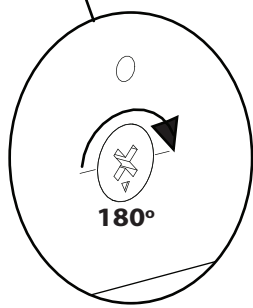
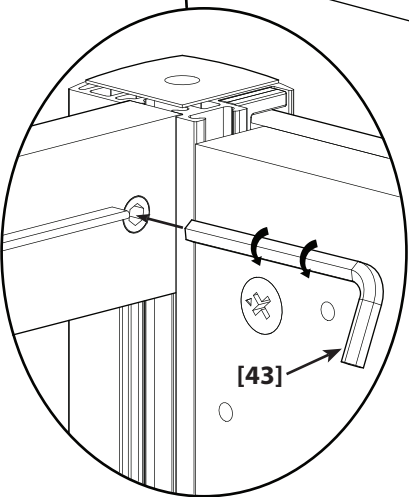
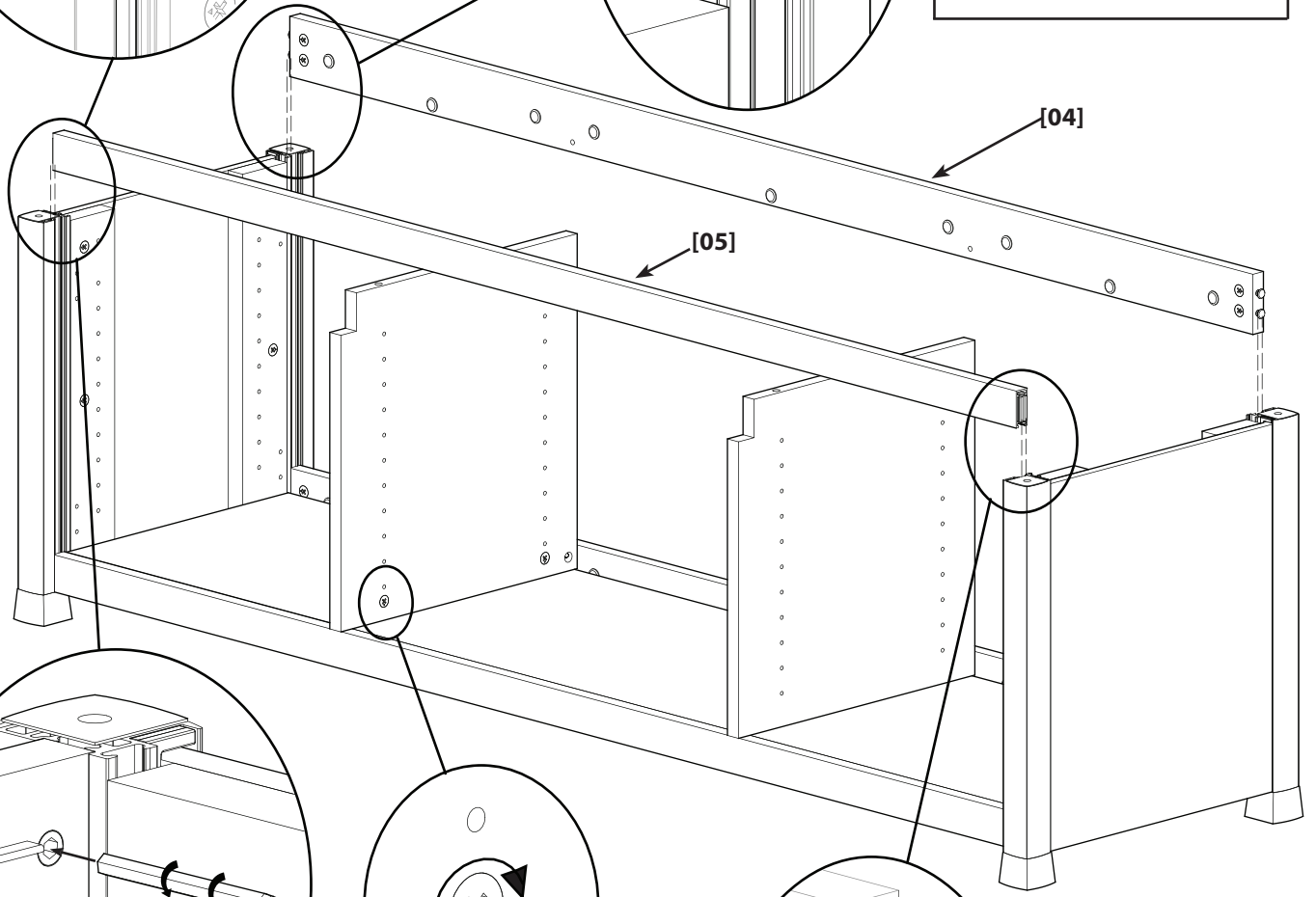
4



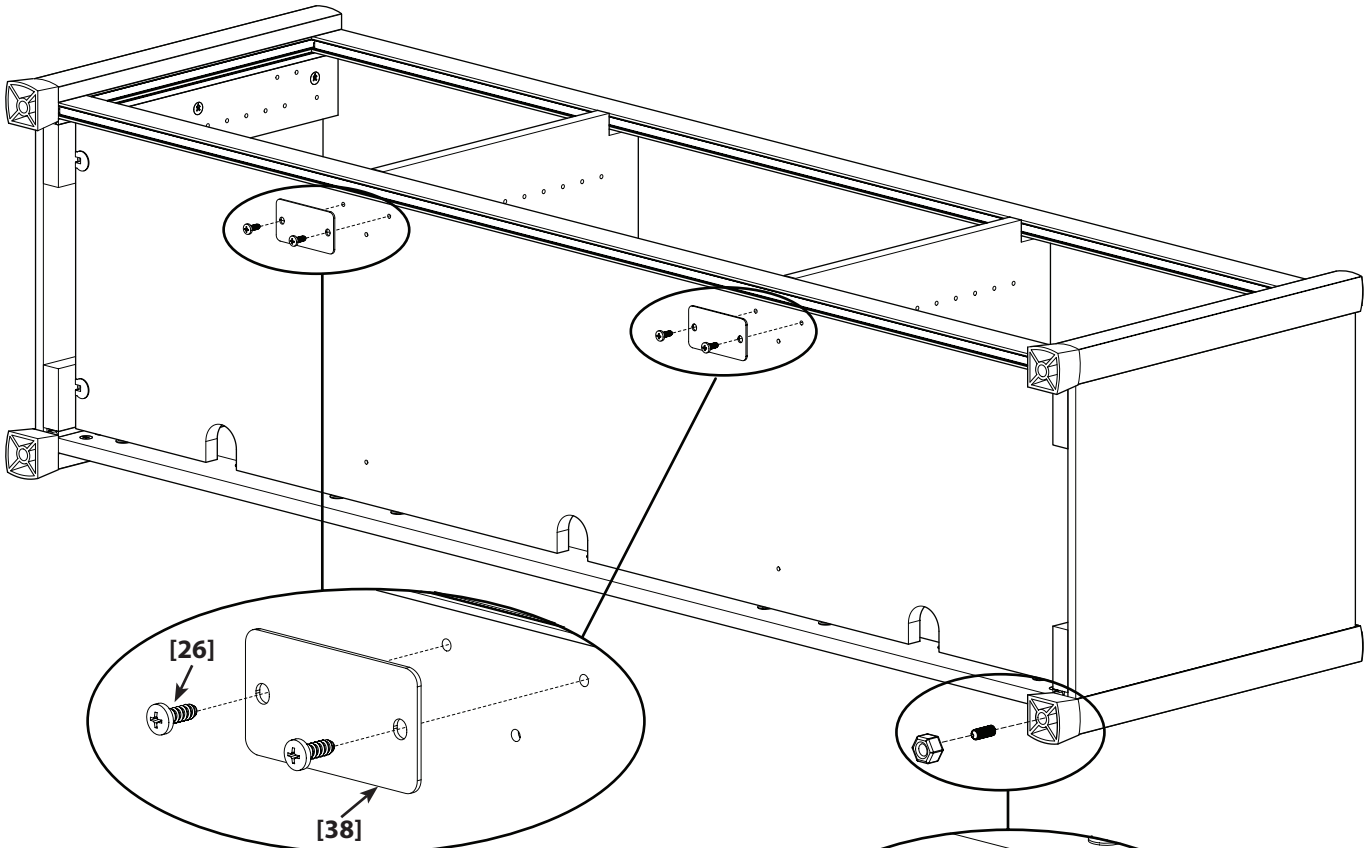
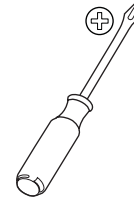
5



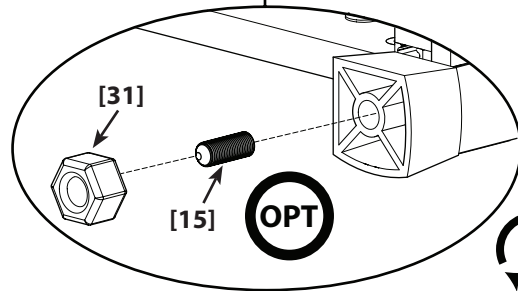
⚠ CAUTION
Braces (**04, 05**) must be inserted as shown. Once in place, be sure the top braces are even with the tops of the side panels [**11**].



6



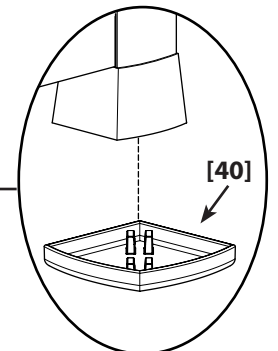
2x



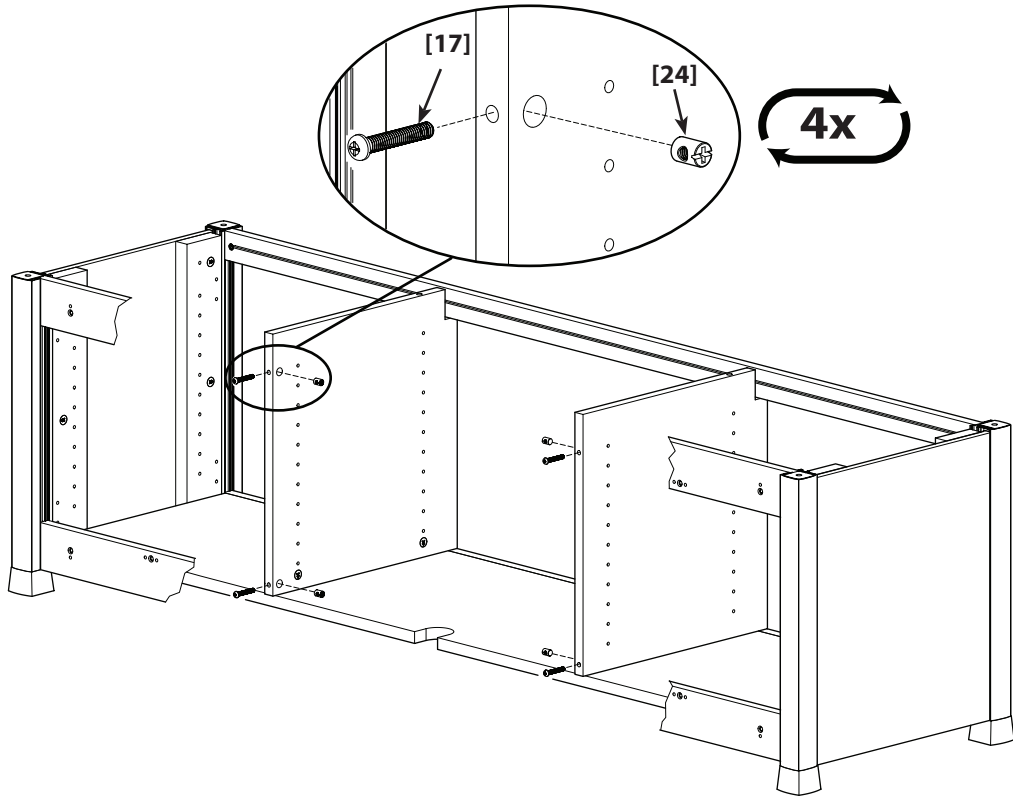
4x

CAUTION
Carpet spikes [32]
are sharp.

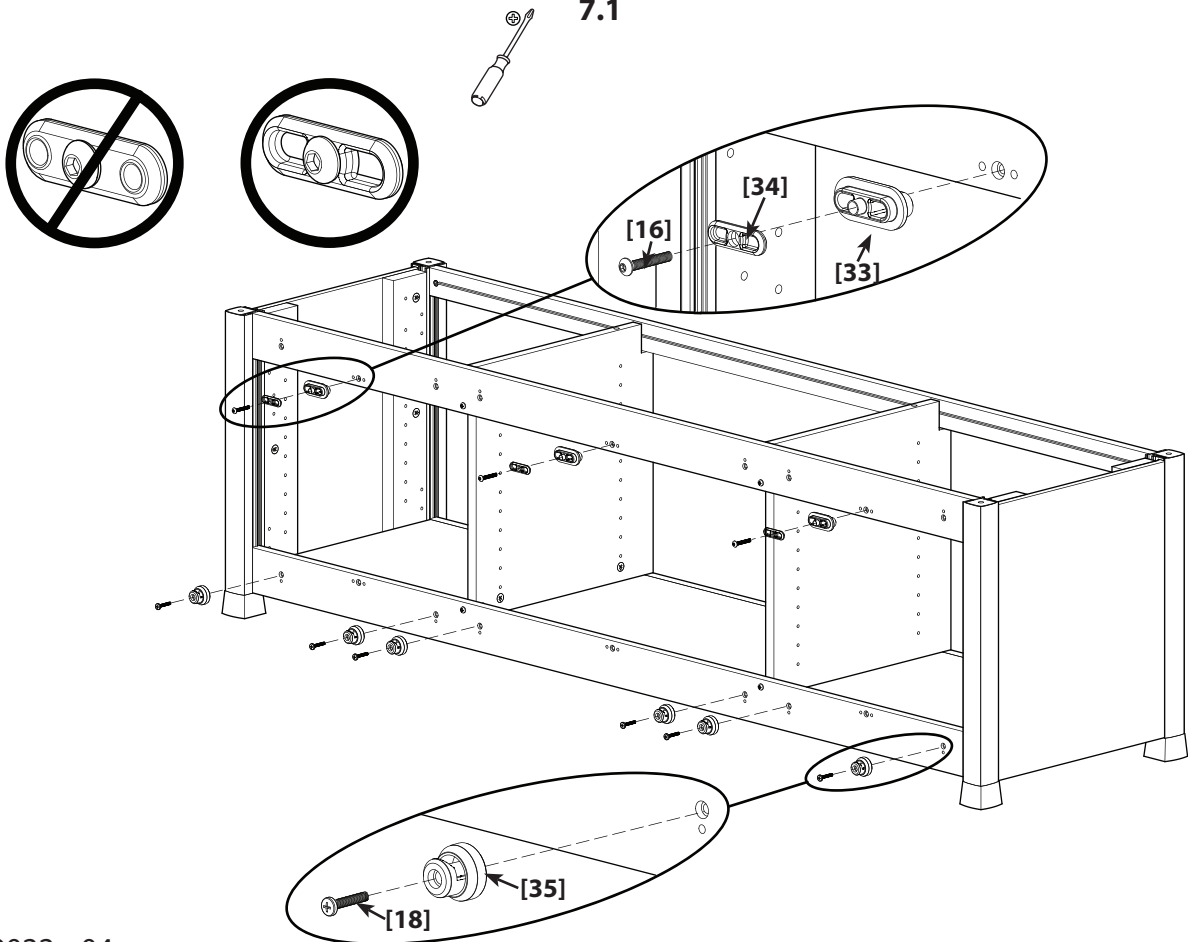
OPT



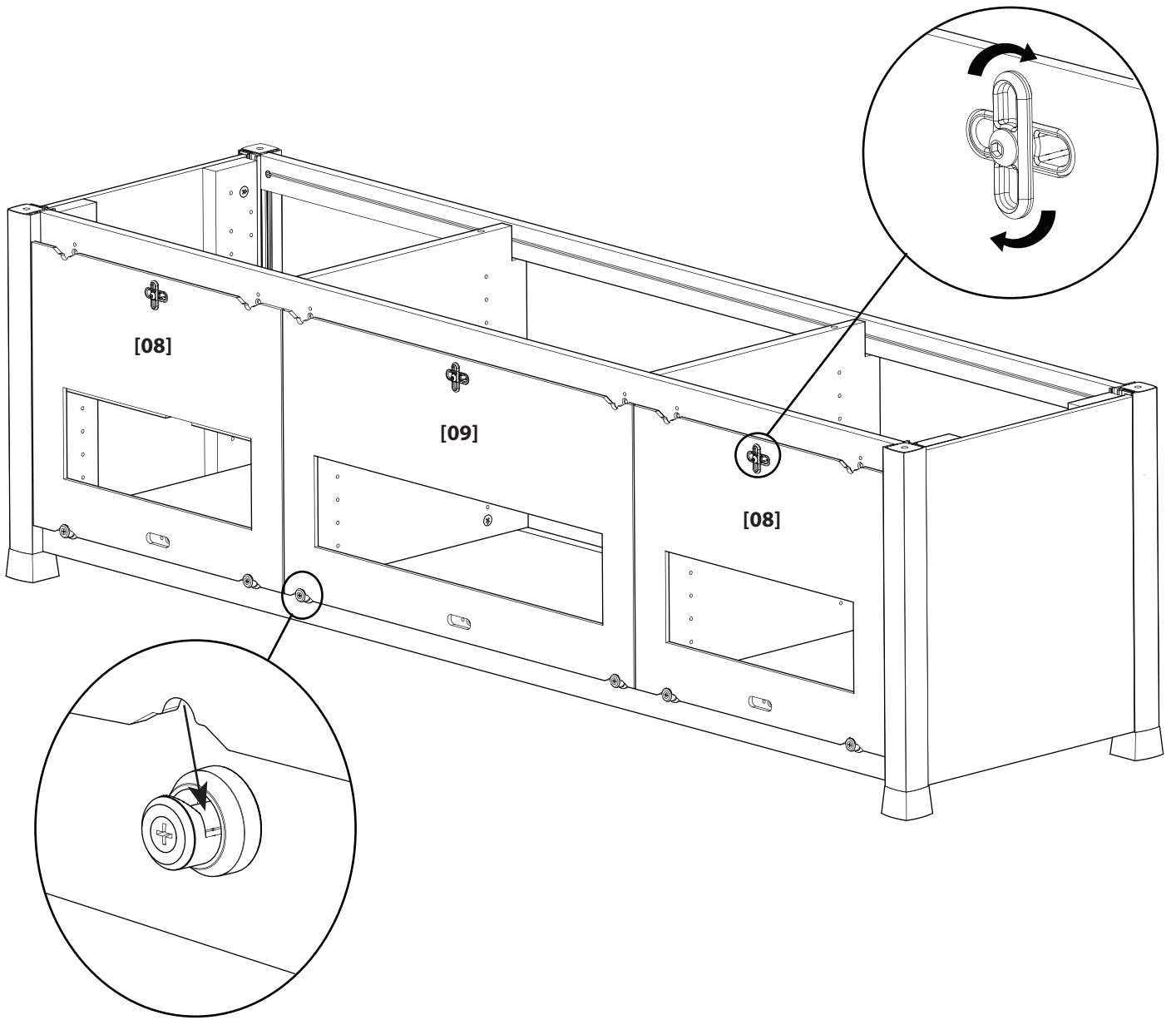
7



7.1

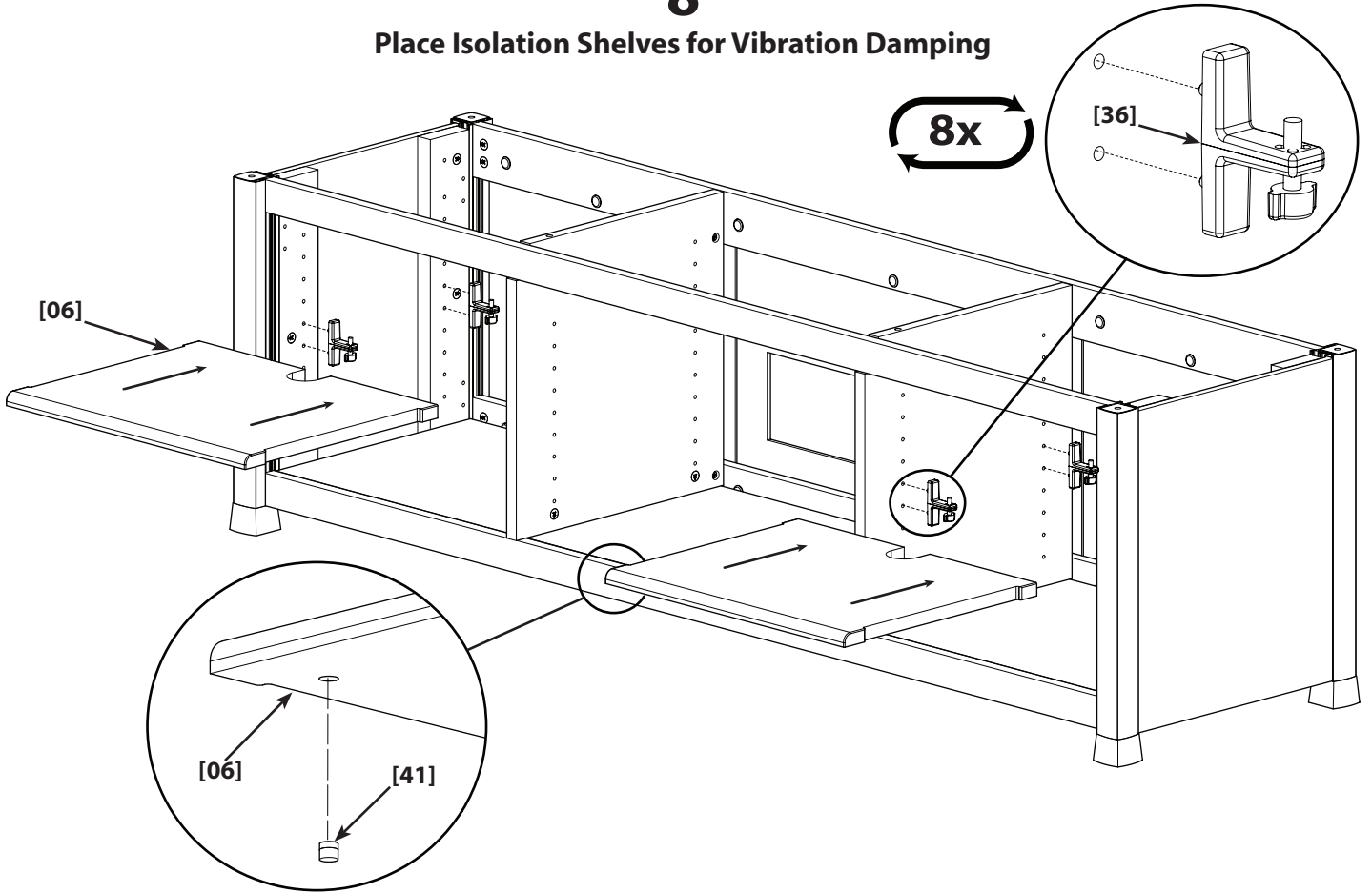


7.2

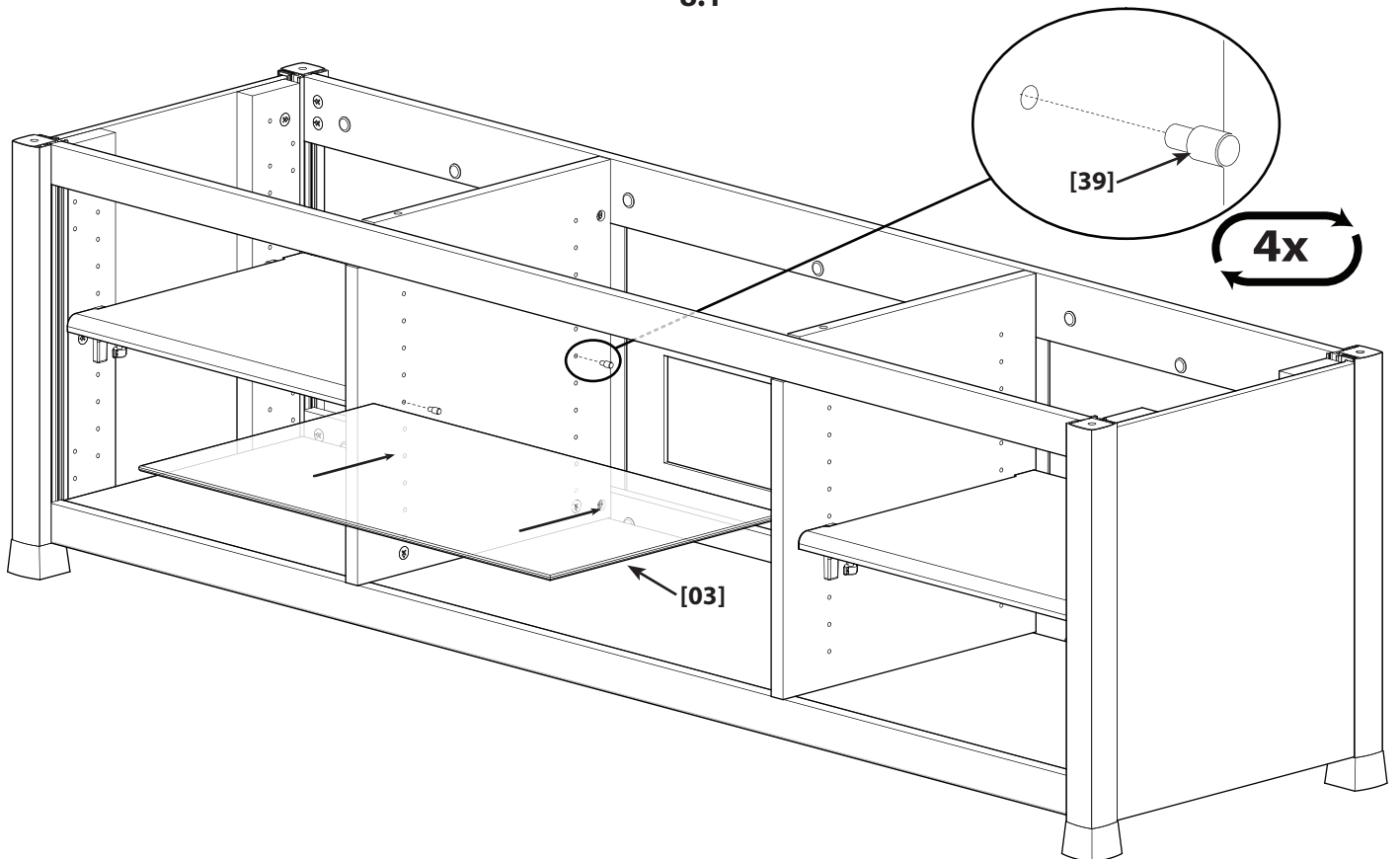


8

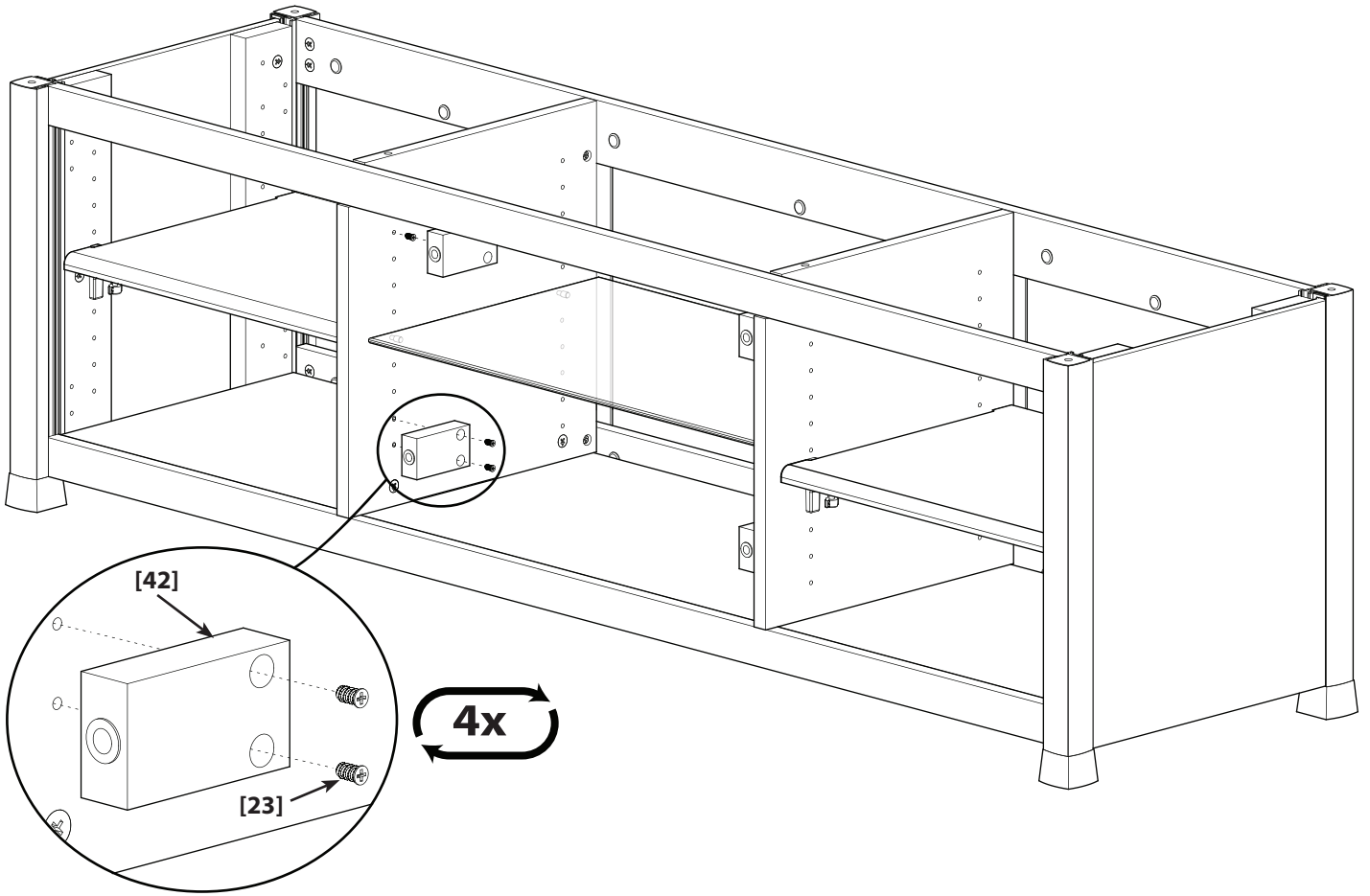
Place Isolation Shelves for Vibration Damping



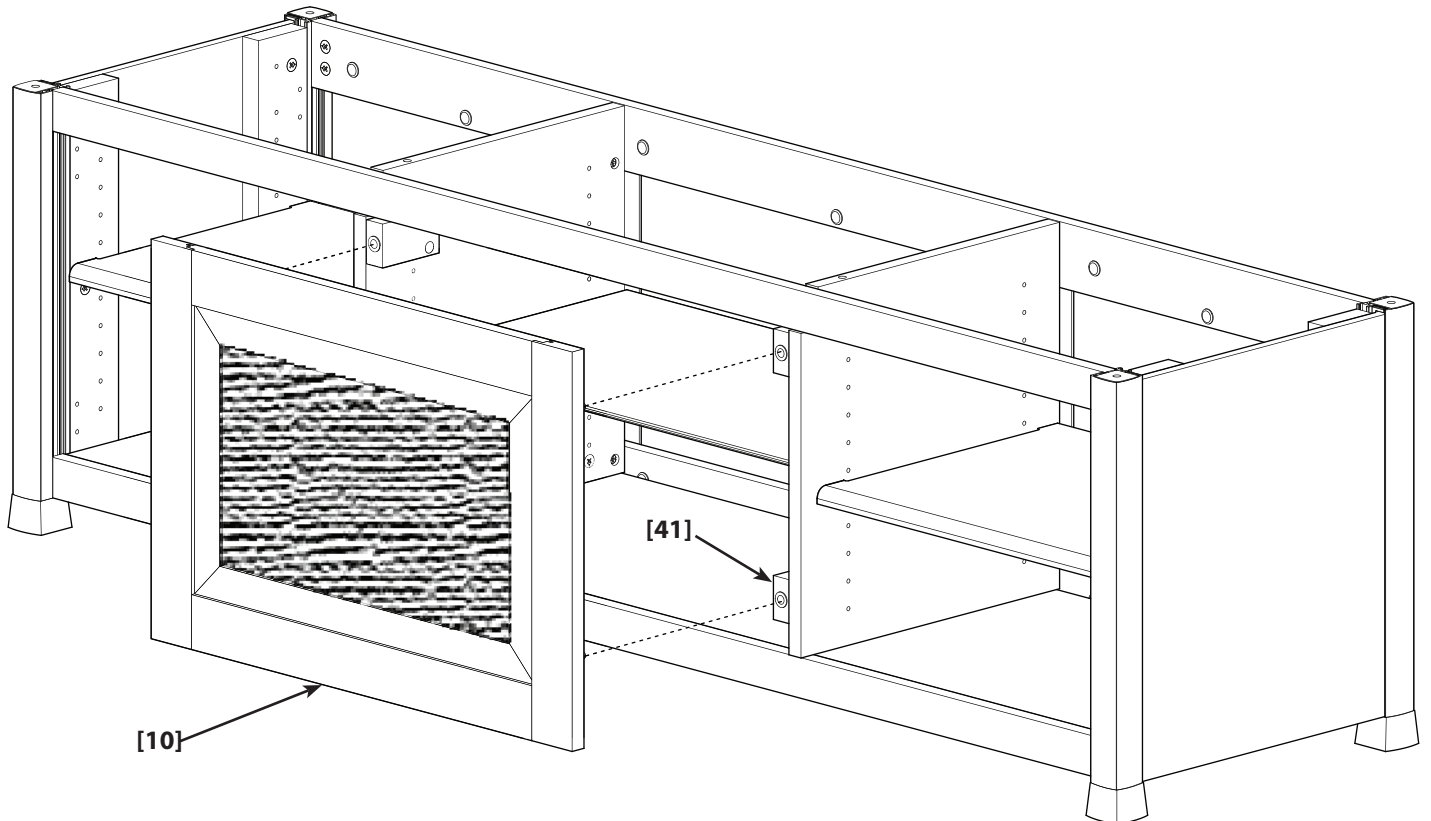
8.1



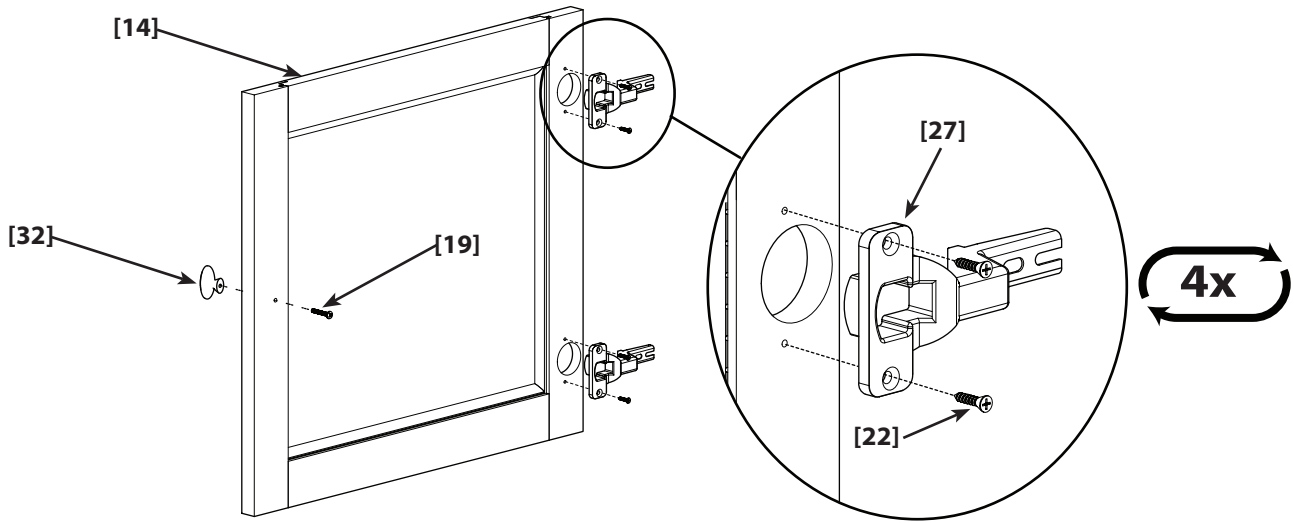
9



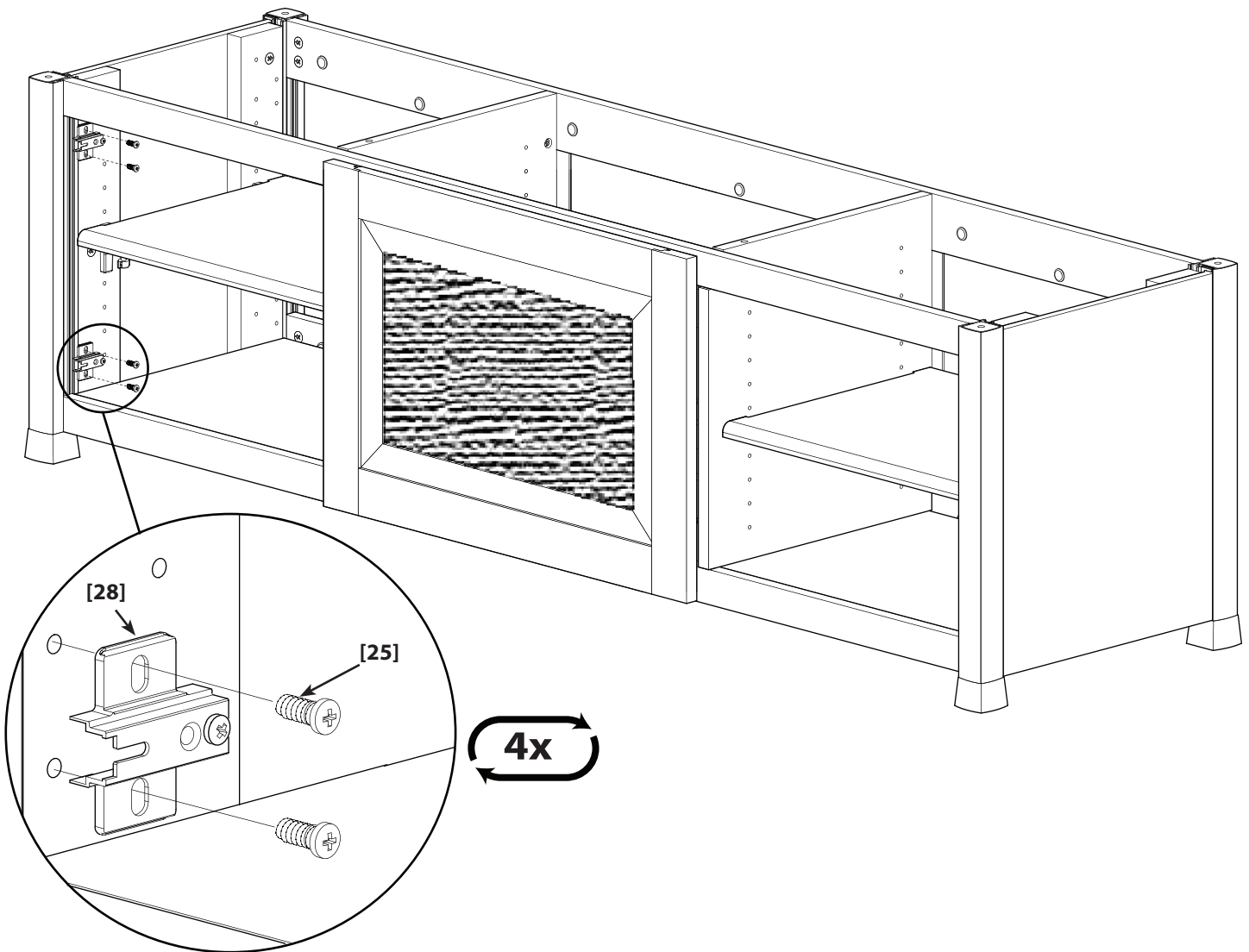
9.1



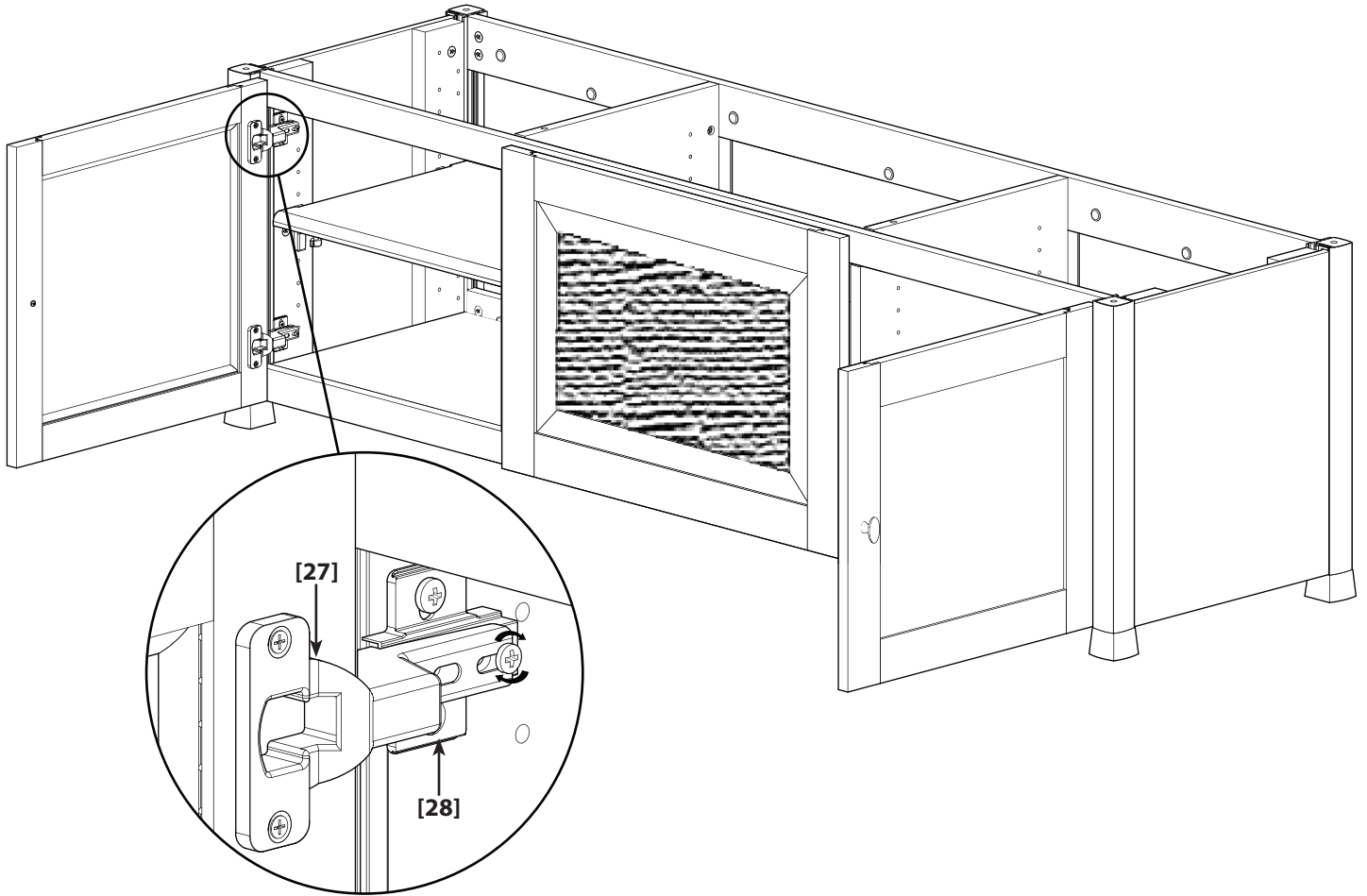
10



10.1

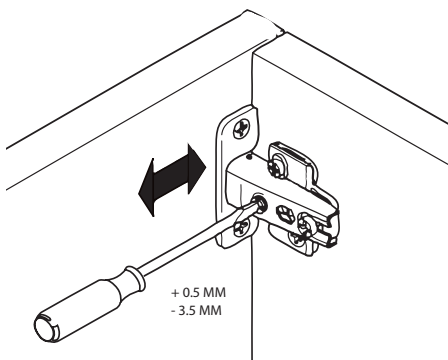


10.2

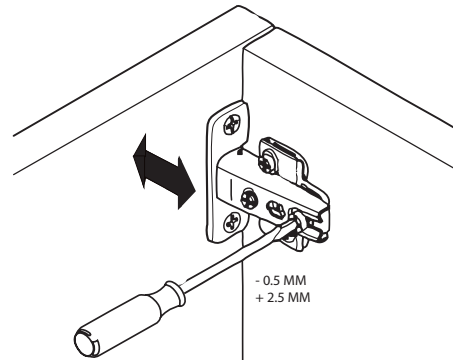


10.3

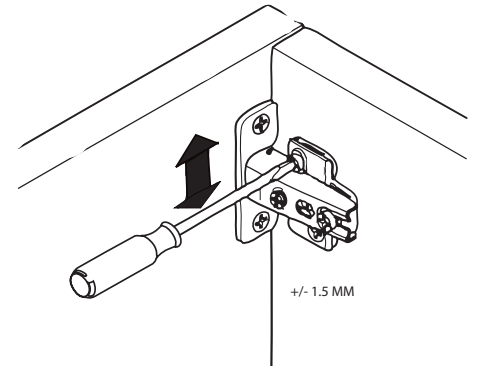
Side Adjustment



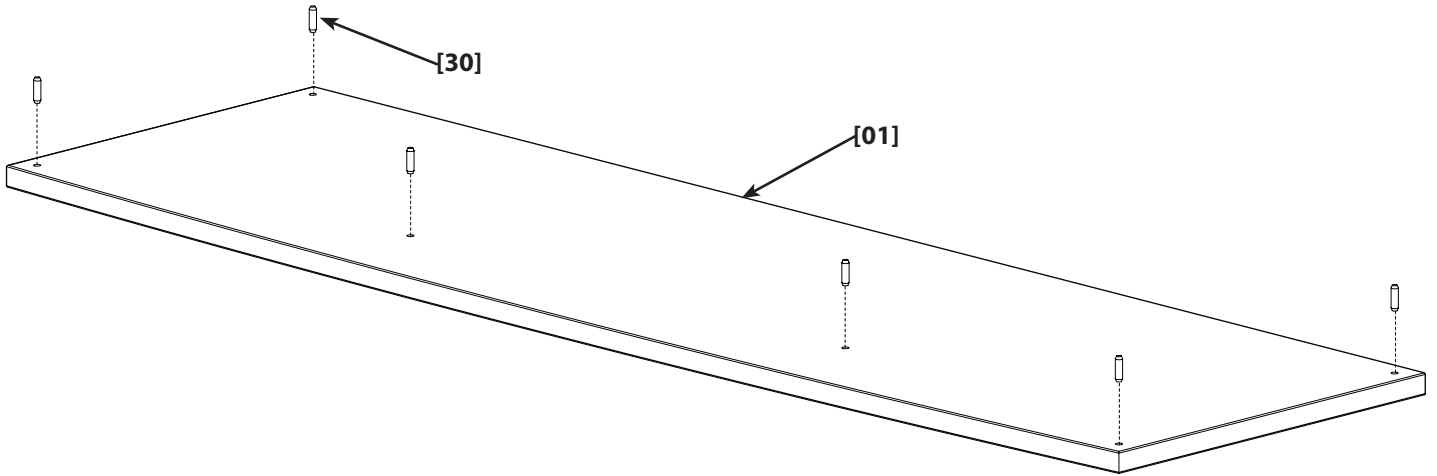
Depth Adjustment



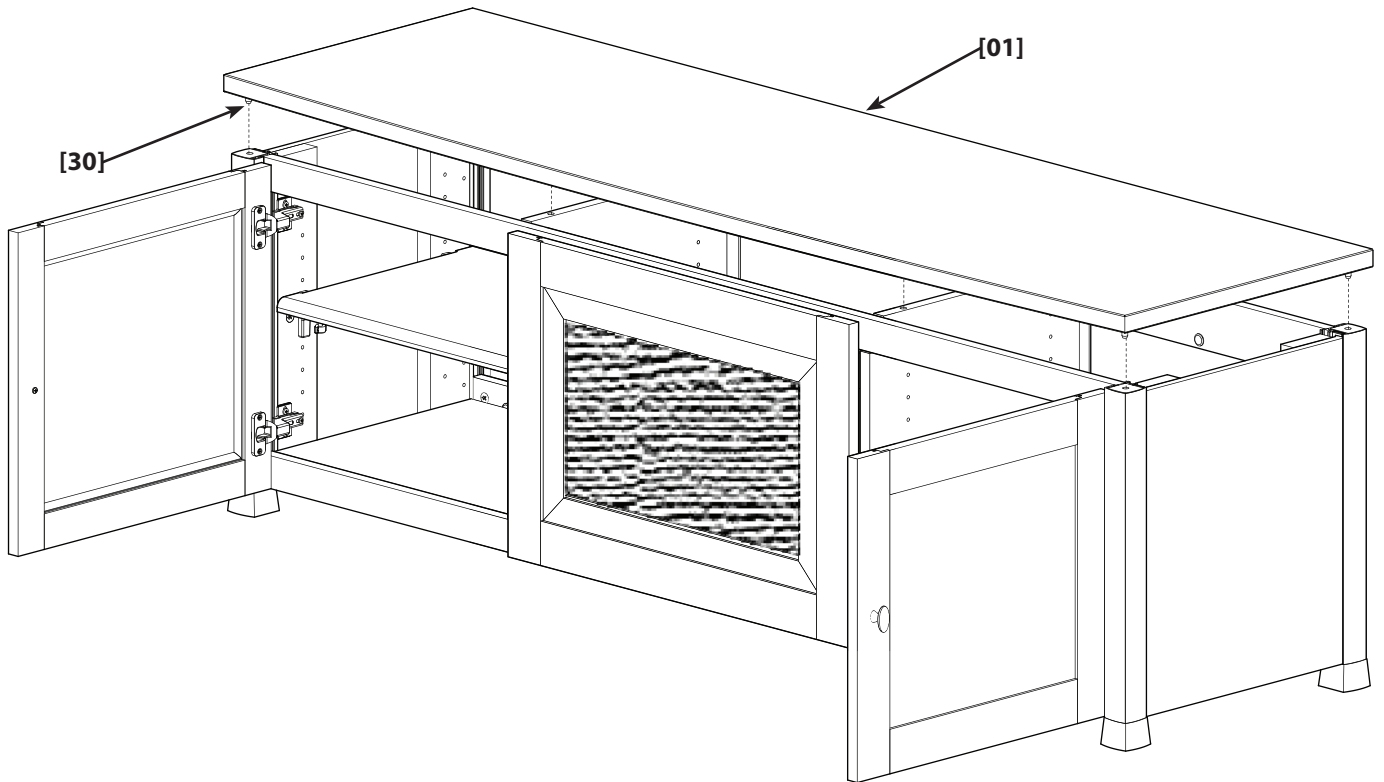
Height Adjustment



11

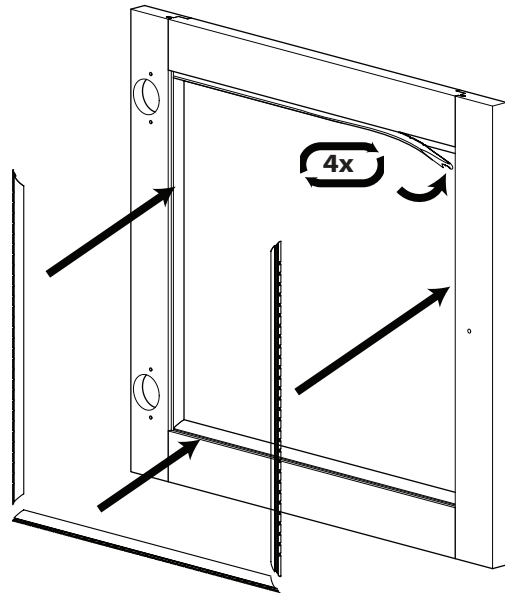
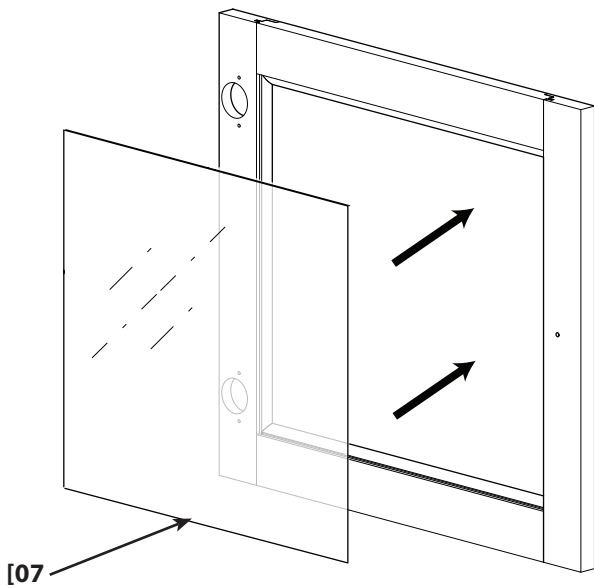
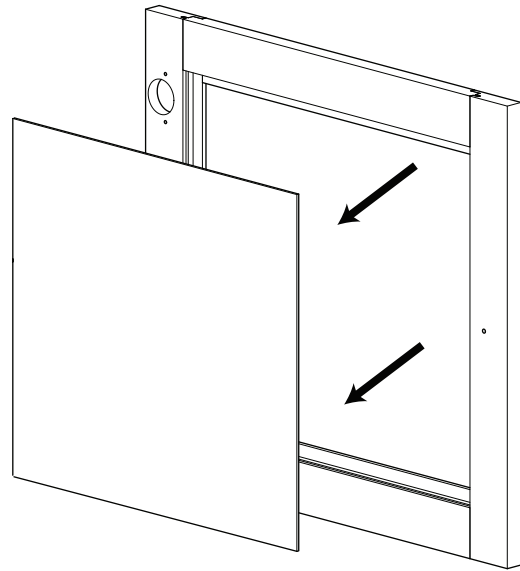
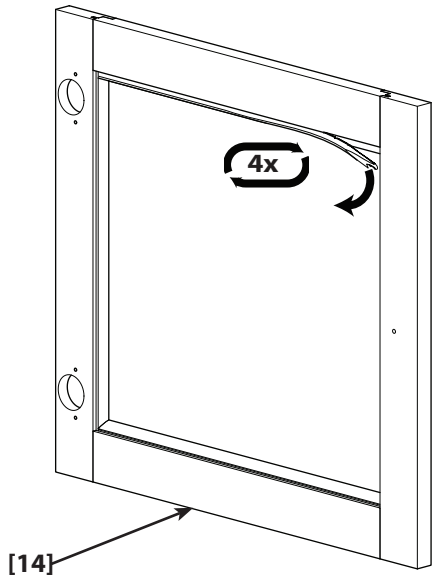


11.1



Option: Replace wooden inserts with glass

OPT



Milestone AV Technologies, Inc. and its affiliated corporations and subsidiaries (collectively, "Milestone"), intend to make this manual accurate and complete. However, Milestone makes no claim that the information contained herein covers all details, conditions, or variations. Nor does it provide for every possible contingency in connection with the installation or use of this product. The information contained in this document is subject to change without notice or obligation of any kind. Milestone makes no representation of warranty, expressed or implied, regarding the information contained herein. Milestone assumes no responsibility for accuracy, completeness or sufficiency of the information contained in this document.