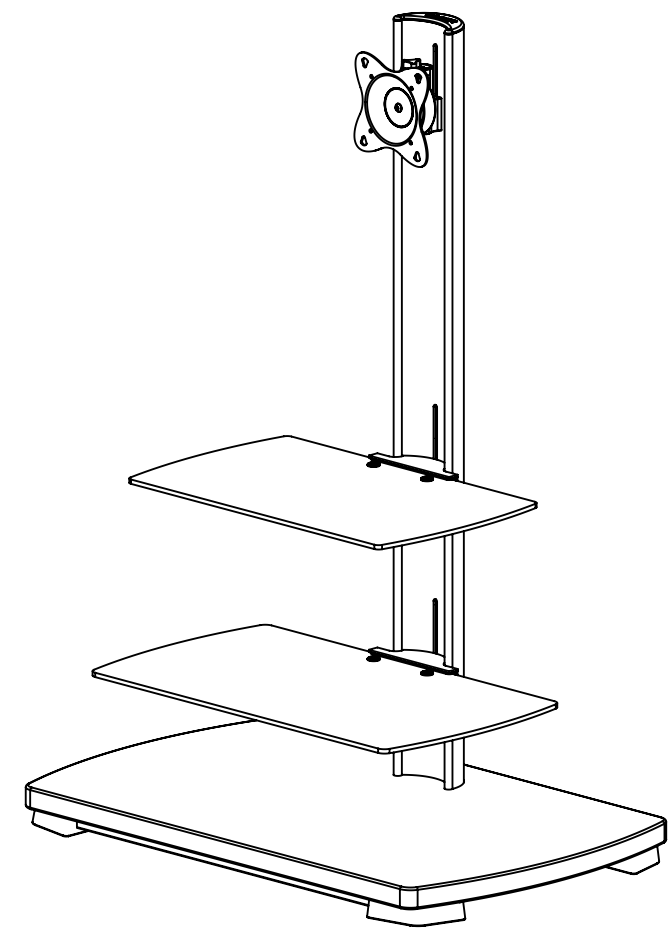
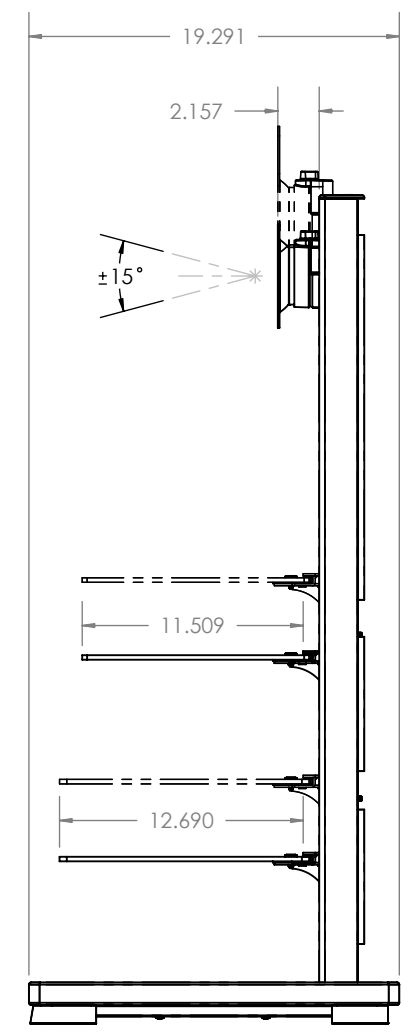
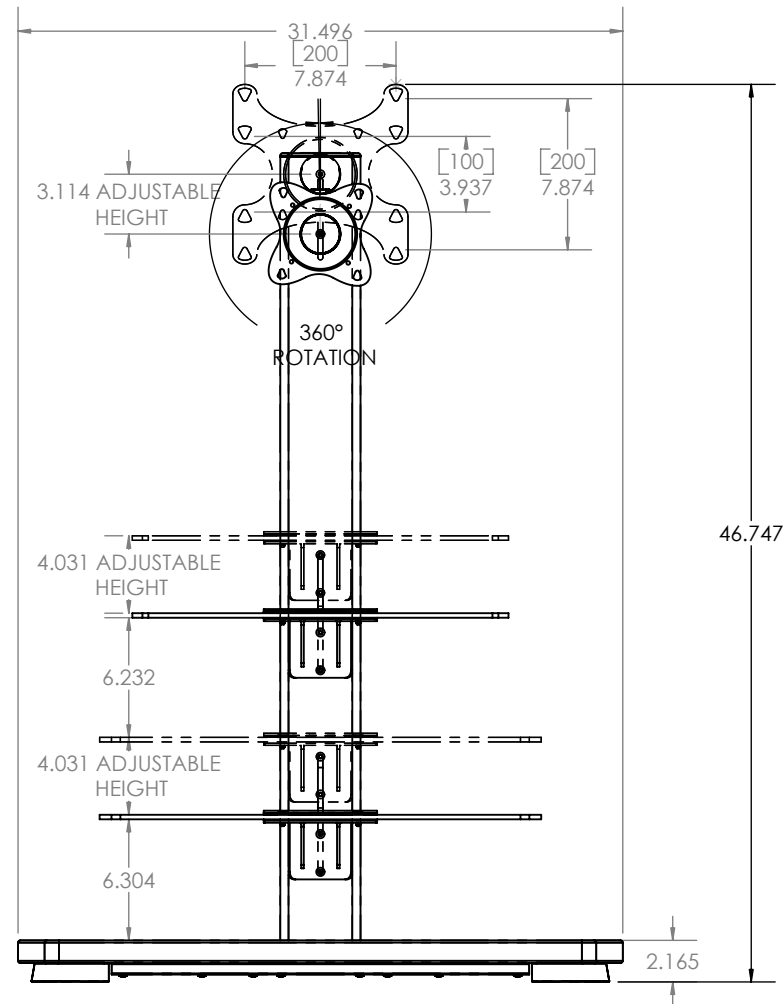
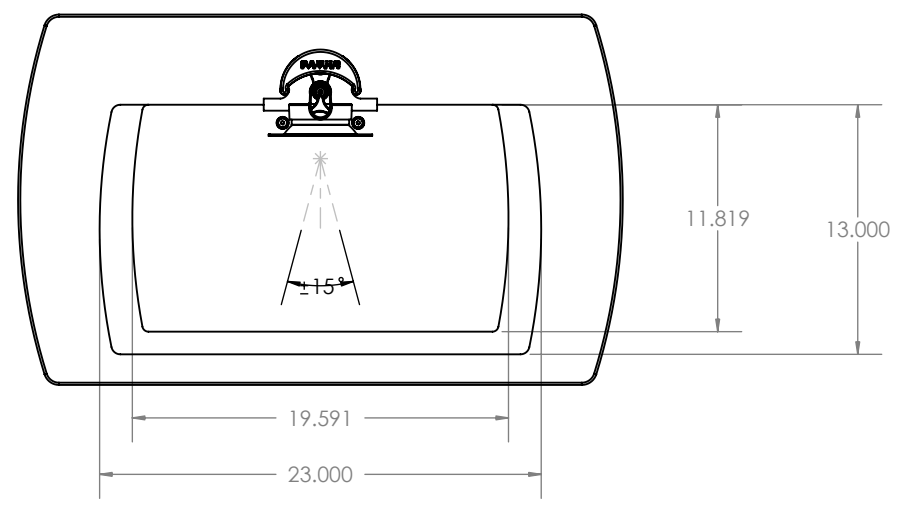


8 7 6 5 4 3 2 1

REVISIONS				
REV.	DESCRIPTION	DATE	INITIALED	ECO



D
C
B
A

D
C
B
A

PROPRIETARY AND CONFIDENTIAL
THE INFORMATION CONTAINED IN THIS DRAWING IS THE SOLE PROPERTY OF SANUS SYSTEMS. ANY REPRODUCTION IN PART OR AS A WHOLE WITHOUT THE WRITTEN PERMISSION OF SANUS SYSTEMS IS PROHIBITED.

PROJECT	6802 - Sanus Complete Assembly	UNLESS OTHERWISE SPECIFIED: [X] ±2.5mm .X ±.100 [X.X] ±.75mm .XX ±.030 [X.XX] ±.25mm .XXX ±.010 [X.XXX] ±.13mm .XXXX ±.005	NAME	NAS	DATE	6/16/2006	SANUS SYSTEMS		
SANUS PART NO.	6802-000016-XXX	ANGULAR: ±0°30'	DETAILED BY:	1	1/1/2001	TITLE:			
LEGACY PART NO.		INTERPRET GEOMETRIC TOLERANCING PER:	CHECKED BY:	1	1/1/2001	FFMF2AMEDIUM LCD FURNITURE STAND			
DEBURR	ALL EDGES FREE OF BURRS	MATERIAL	ENG APPR.	1	1/1/2001	COMMENTS: 1. WEIGHT CAPACITY: 60LBS FOR MONITOR MOUNT AND 25LBS FOR EACH SHELF.			
PURCHASING SPEC	8900-000001	Material <not specified>					SIZE	DWG. NO.	REV
MATERIAL & FINISHING SPEC	8900-000002	FINISH					B	FFMF2A	01
EXTRUSION DIE	N/A	DO NOT SCALE DRAWING					SCALE: 1:10	WEIGHT: 52.64	SHEET 1 OF 1

8 7 6 5 4 3 2 1