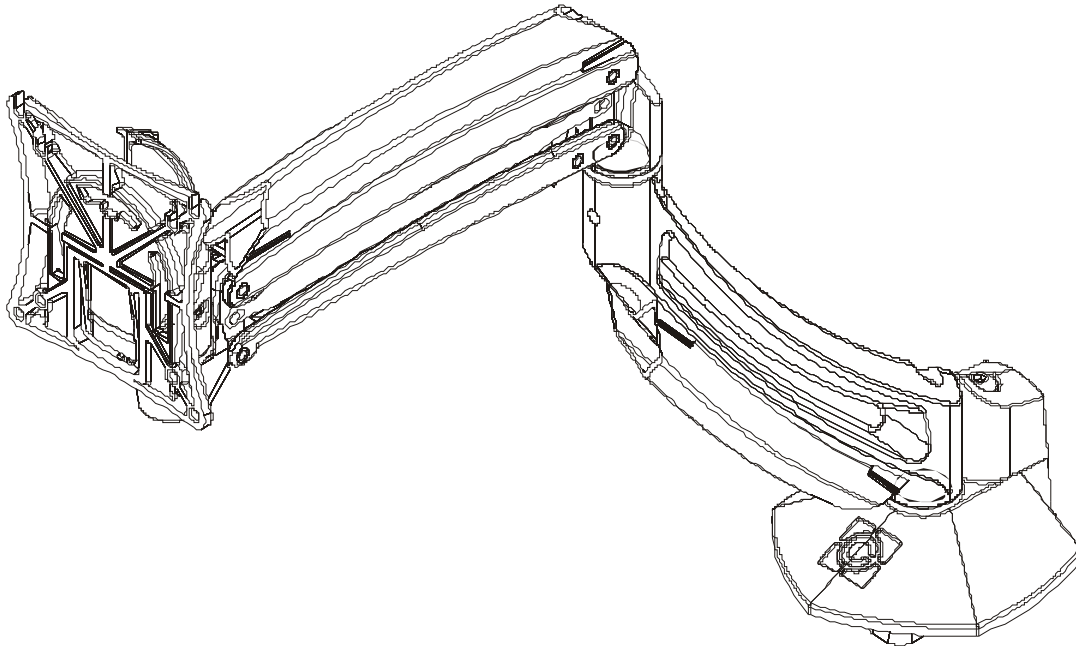

SANUS®

VMD1

(6901-002123 <01>)



INSTALLATION INSTRUCTIONS

Sanus

6436 City West Parkway
Eden Prairie, MN 55344 USA

Customer Service

Americas: 800-359-5520 • 952-225-6013 • info@sanus.com
Europe, Middle East, and Africa: + 31 40 2324700 • europe.sanus@milestone.com
Asia Pacific: 86 755 8996 9226 • sanus.ap@milestone.com

www.sanus.com

DISCLAIMER

Milestone AV Technologies and its affiliated corporations and subsidiaries (collectively "Milestone"), intend to make this manual accurate and complete. However, Milestone makes no claim that the information contained herein covers all details, conditions or variations, nor does it provide for every possible contingency in connection with the installation or use of this product. The information contained in this document is subject to change without notice or obligation of any kind. Milestone makes no representation of warranty, expressed or implied, regarding the information contained herein. Milestone assumes no responsibility for accuracy, completeness or sufficiency of the information contained in this document.

Milestone AV Technologies, a Duchossois Group Company. All rights reserved. Sanus is a division of Milestone. All other brand names or marks are used for identification purposes and are trademarks of their respective owners.

! IMPORTANT WARNINGS AND CAUTIONS!

! WARNING: A WARNING alerts you to the possibility of serious injury or death if you do not follow the instructions.

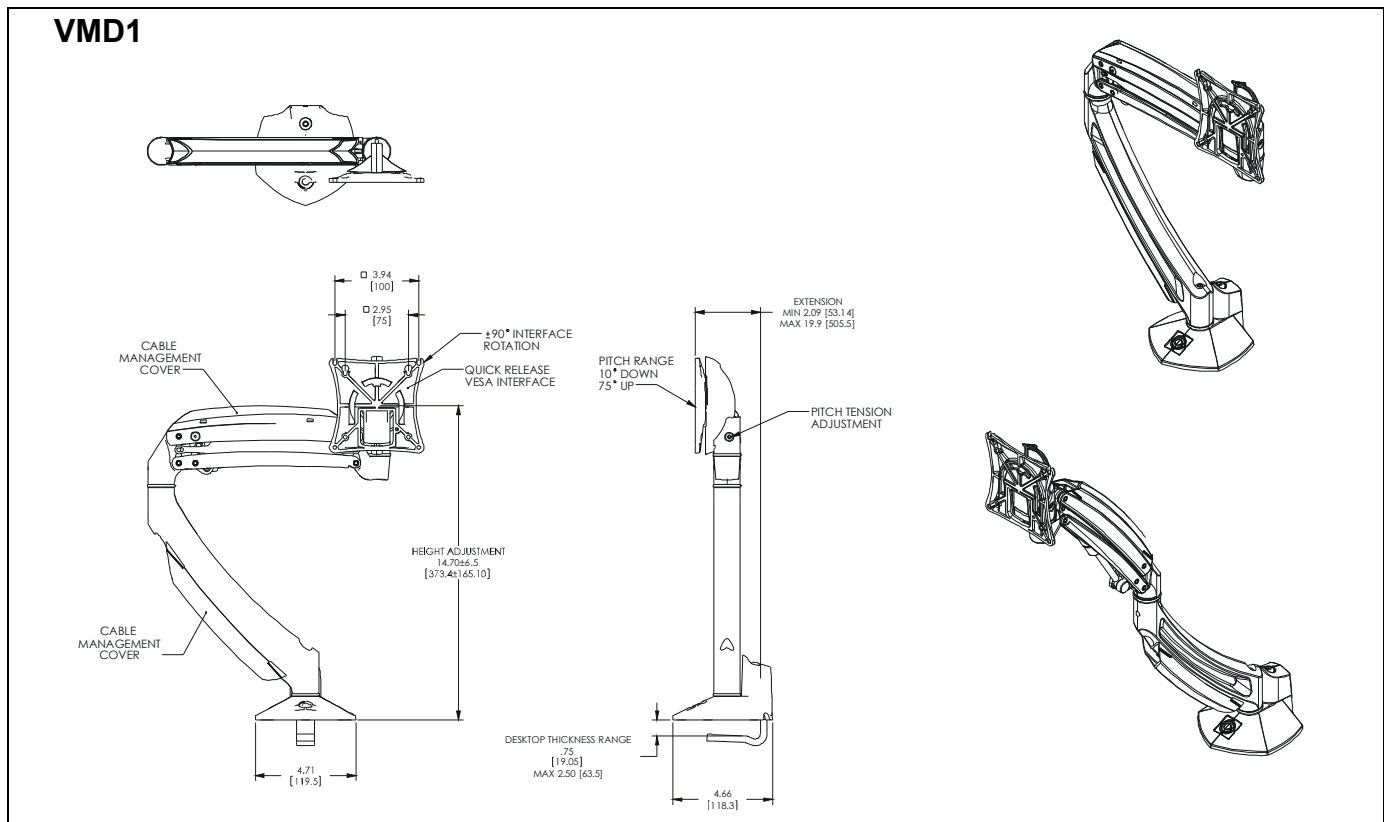
! CAUTION: A CAUTION alerts you to the possibility of damage or destruction of equipment if you do not follow the corresponding instructions.

! WARNING: Failure to read, thoroughly understand, and follow all instructions can result in serious personal injury, damage to equipment, or voiding of factory warranty! It is the installer's responsibility to make sure all components are properly assembled and installed using the instructions provided.



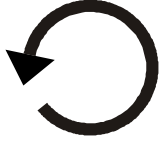


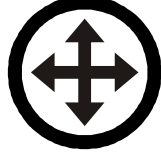






! WARNING: Failure to provide adequate structural strength for this component can result in serious personal injury or damage to equipment! It is the installer's responsibility to make sure the structure to which this component is attached can support five times the combined weight of all equipment. Reinforce the structure as required before installing the component. The wall to which the mount is being attached may have a maximum drywall thickness of 5/8" (1.6cm).

! WARNING: Exceeding the weight capacity can result in serious personal injury or damage to equipment! It is the installer's responsibility to make sure the combined weight of all components located between the VMD1 Monitor Arm up to (and including) the display does not exceed 25 lbs (11.34 kg) per arm. Use with products heavier than the maximum weight indicated may result in collapse of the mount and its accessories causing possible injury.

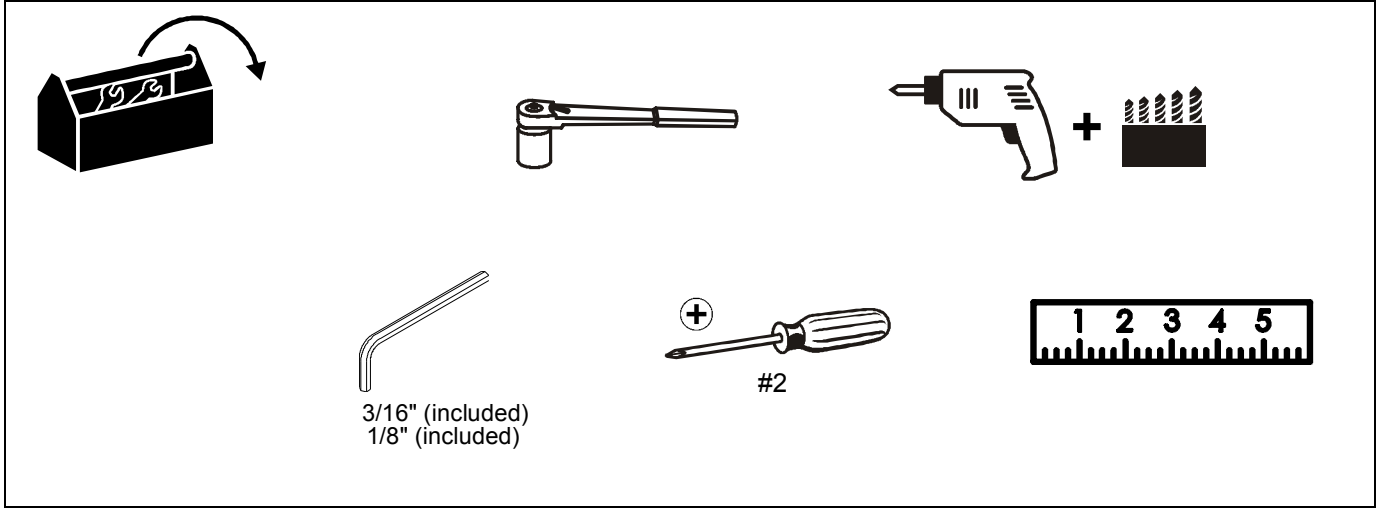
DIMENSIONS



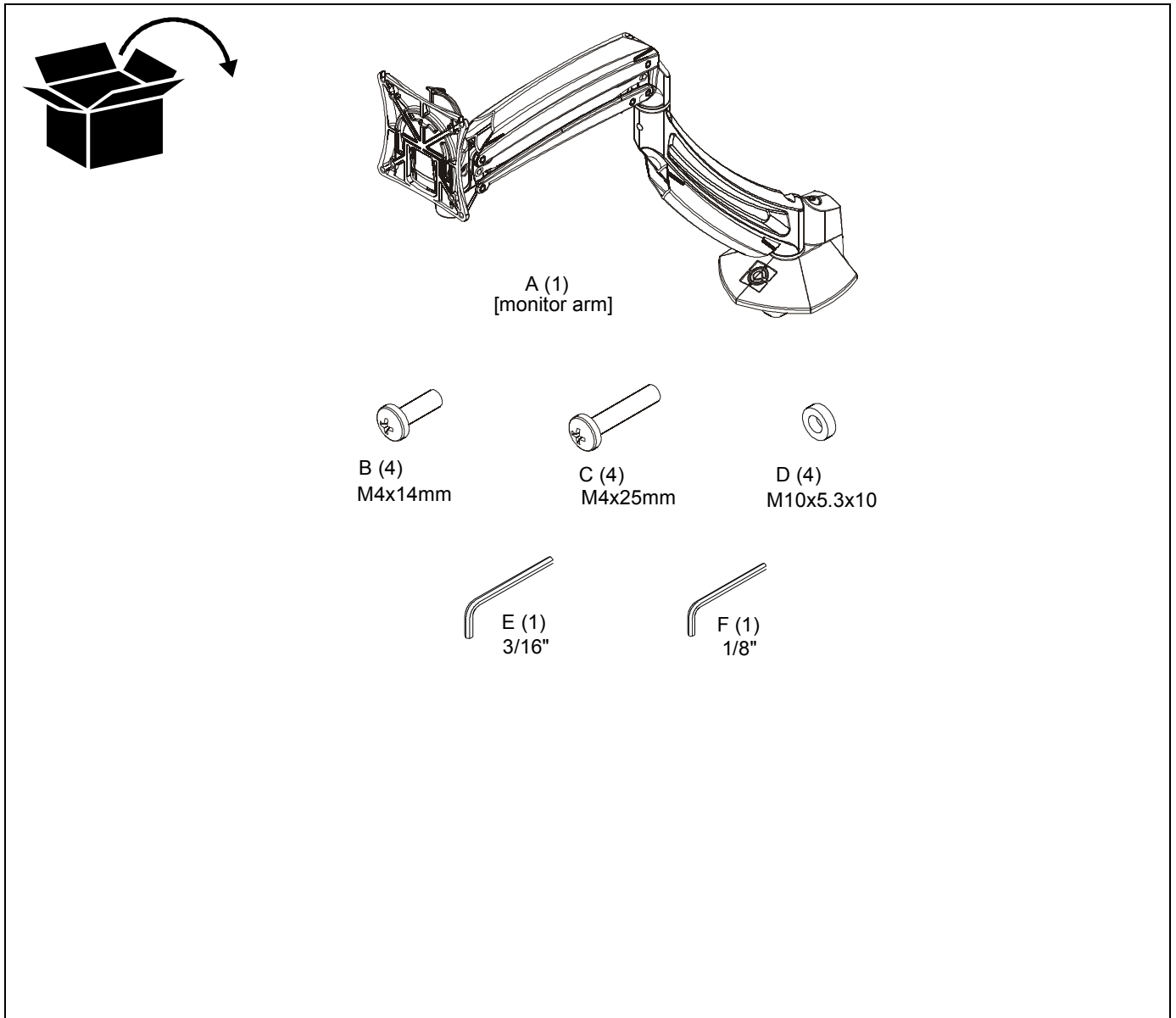
LEGEND

| | | | |
|---|---|--|---|
|  | Tighten Fastener Apretar elemento de fijación Befestigungsteil festziehen Apertar fixador Serrare il fissaggio Bevestiging vastdraaien Serrez les fixations |  | Pencil Mark Marcar con lápiz Stiftmarkierung Marcar com lápis Segno a matita Potloodmerkten Marquage au crayon |
|  | Loosen Fastener Aflojar elemento de fijación Befestigungsteil lösen Desapertar fixador Allentare il fissaggio Bevestiging losdraaien Desserrez les fixations |  | Drill Hole Perforar Bohrloch Fazer furo Praticare un foro Gat boren Percez un trou |
|  | Phillips Screwdriver Destornillador Phillips Kreuzschlitzschraubendreher Chave de fendas Phillips Cacciavite a stella Kruiskopschroevendraaier Tournevis à pointe cruciforme |  | Adjust Ajustar Einstellen Ajustar Regolare Afstellen Ajuster |
|  | Open-Ended Wrench Llave de boca Gabelschlüssel Chave de bocas Chiave a punte aperte Steeksleutel Clé à fourche |  | Remove Quitar Entfernen Remover Rimuovere Verwijderen Retirez |
|  | By Hand A mano Von Hand Com a mão A mano Met de hand À la main |  | Optional Opcional Optional Opcional Opzionale Optie En option |
|  | Hex-Head Wrench Llave de cabeza hexagonal Sechskantschlüssel Chave de cabeça sextavada Chiave esagonale Zeskantsleutel Clé à tête hexagonale |  | Security Wrench Llave de seguridad Sicherheitsschlüssel Chave de segurança Chiave di sicurezza Veiligheidsleutel Clé de sécurité |

TOOLS REQUIRED FOR INSTALLATION



PARTS



Connecting VMD1 to Desk

1. Loosen clamp screw until enough space is created between clamp and mount to allow for desk mounting. (See Figure 1)

NOTE: If space is limited behind desk (i.e. against wall, etc.), remove clamp entirely in Step 1 and reattach clamp prior to Step 3!

2. Place mount on top of desk at desired mounting location. (See Figure 1)
3. Tighten clamp using clamp screw until mount is securely fastened to desk. (See Figure 1)

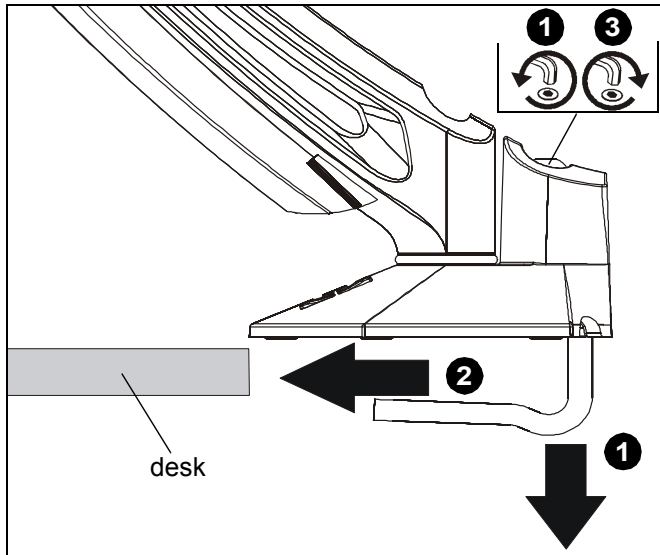


Figure 1

Display Installation

1. Remove quick release faceplate from mount by pressing quick release tab and sliding faceplate off mount. (See Figure 2)

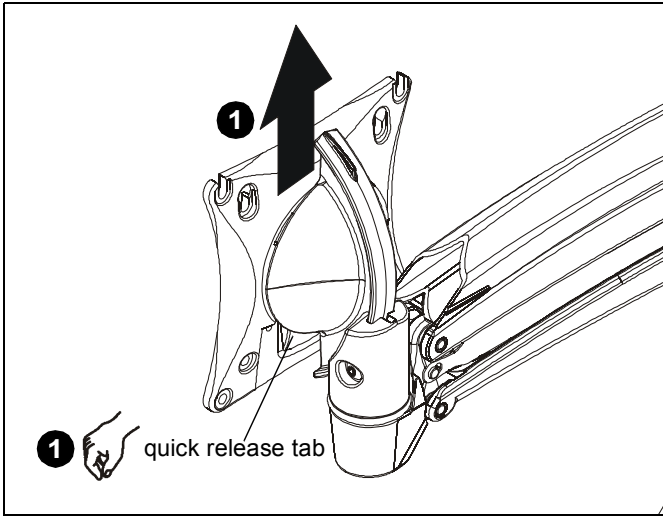


Figure 2

⚠ WARNING: Only remove display from mount when the display can be lifted up from the mount! DO NOT remove display unless the display is in the upright position! See Display Removal section for details.

2. Carefully place display face down on protective surface.
3. Connect faceplate to display

For flush mounting hole installation:

- Using Phillips screwdriver, carefully install four M4x14mm screws (B) through corresponding holes on faceplate and into the mounting holes on the display. (See Figure 3)

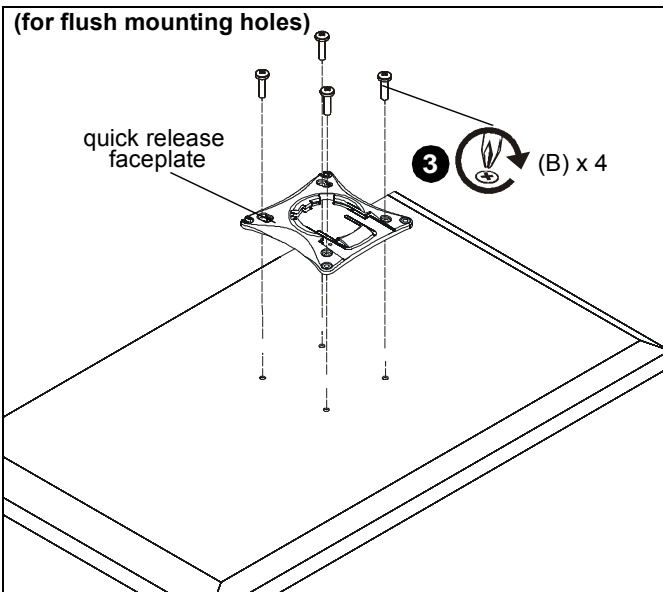


Figure 3

For recessed mounting hole installation:

- Place four spacers (D) on top of mounting holes on back of display. (See Figure 9)
- Using Phillips screwdriver, carefully install four M4x25mm screws (C) through corresponding holes on faceplate, spacers (D) and into the mounting holes on the display. (See Figure 4)

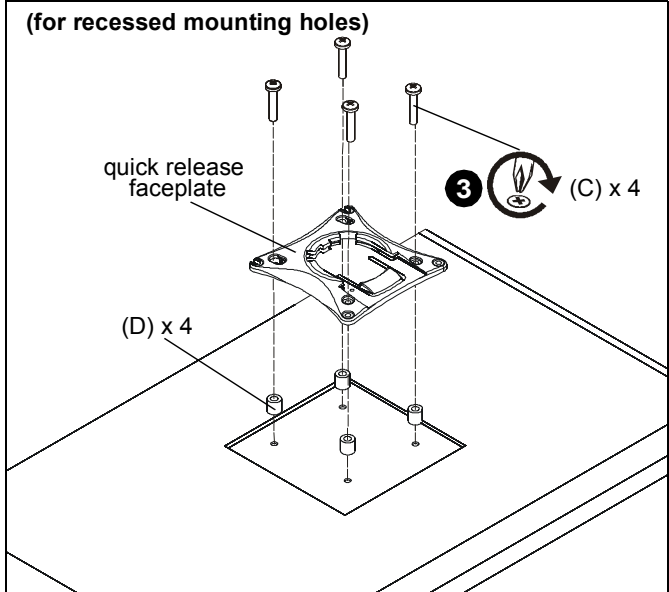


Figure 4

4. Position display with faceplate attached above mount. (See Figure 5)
5. Slide faceplate onto mounting head until quick release tab clicks into place. (See Figure 5)

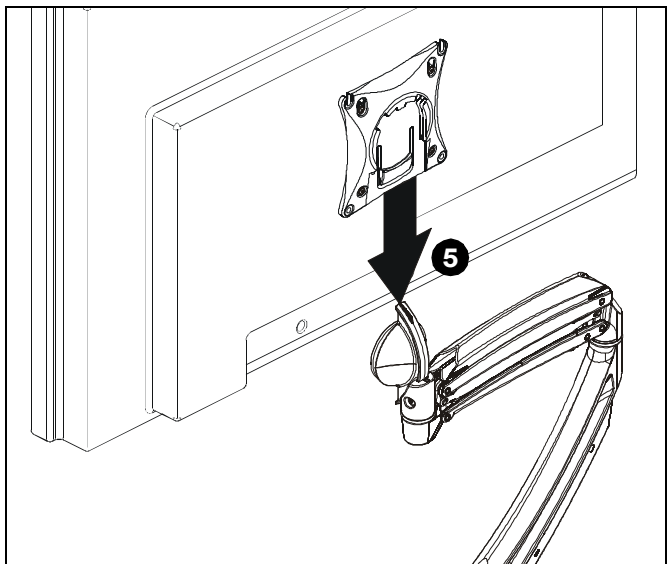


Figure 5

Adjustments

Head Tilt Adjustment

1. Adjust head tilt to desired tilt position. (See Figure 6)
2. Adjust head tilt tension screw to change the adjustment tension. (See Figure 6)

Height Adjustment



CAUTION: OVERTENSIONING THE HEIGHT-ADJUSTMENT TENSION SCREW MAY CAUSE DAMAGE! Do NOT overtighten height-adjustment tension screw when adjusting tension for lighter or heavier displays.

1. Adjust arm height to desired level. (See Figure 6)
2. Open cable management cover on upper arm to expose height-adjustment tension screw. See Cable Management section for details.
3. Use 1/8" hex key (F) to adjust height-adjustment tension screw to change adjustment tension. (See Figure 6)

NOTE: Turn clockwise to reduce tension for lighter displays and counter-clockwise to increase tension for heavier displays.

Pivot Adjustment

1. Adjust pivot position as desired. (See Figure 6)
2. Use 3/16" hex key (E) to adjust pivot point tension screws to change pivot adjustment tension. (See Figure 6)

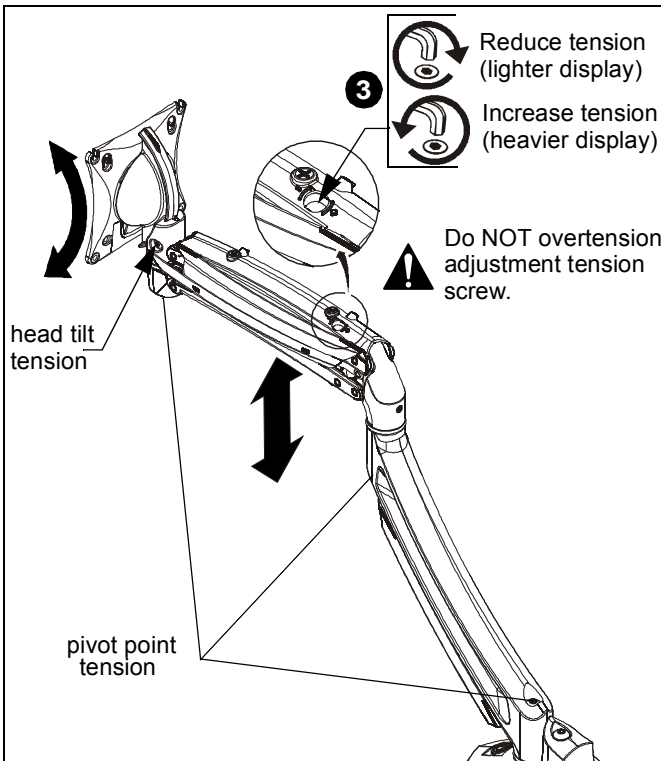


Figure 6

Pivot Adjustment Range

1. Adjust arm angle as desired up to 90 degrees in either direction. (See Figure 7)



WARNING: Swinging the arm beyond 90 degrees may result in the mount slipping off the desk causing serious injury!

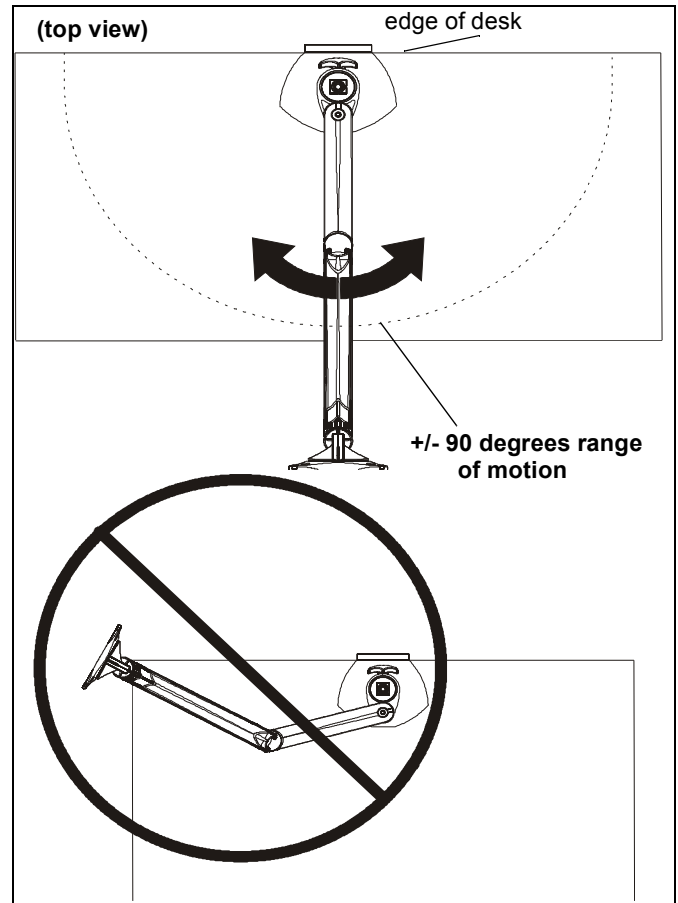


Figure 7

Portrait Adjustment

1. The monitor may be adjusted 90 degrees in either direction in order to provide a portrait view of the monitor. (See Figure 8)

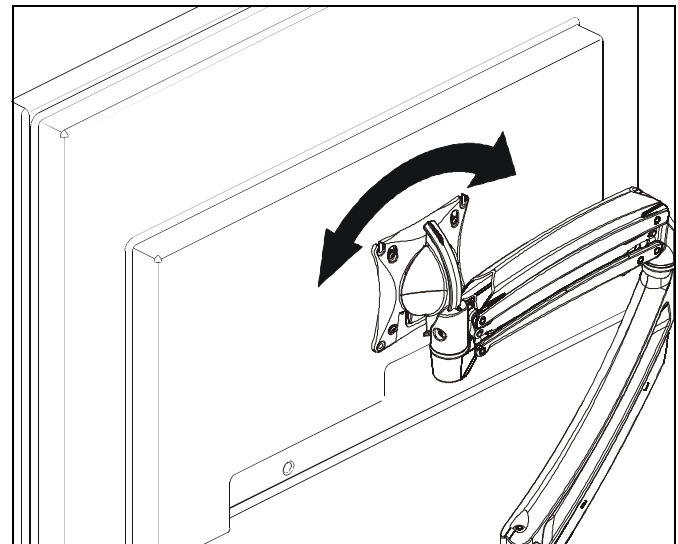


Figure 8



WARNING: Only remove display from mount when the display can be lifted up from the mount! DO NOT remove display unless the display is in the upright position! See Display Removal section for details.

Cable Management

1. Use screwdriver to unhinge tab on either end of cable management cover on upper arm. (See Figure 9)
2. Slide screwdriver along edge of cover until remaining tabs are unhinged and cover is in the "open" position. (See Figure 9)

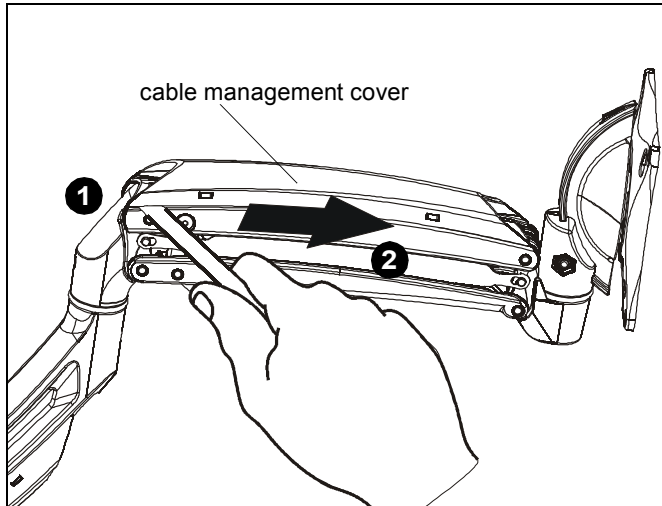


Figure 9

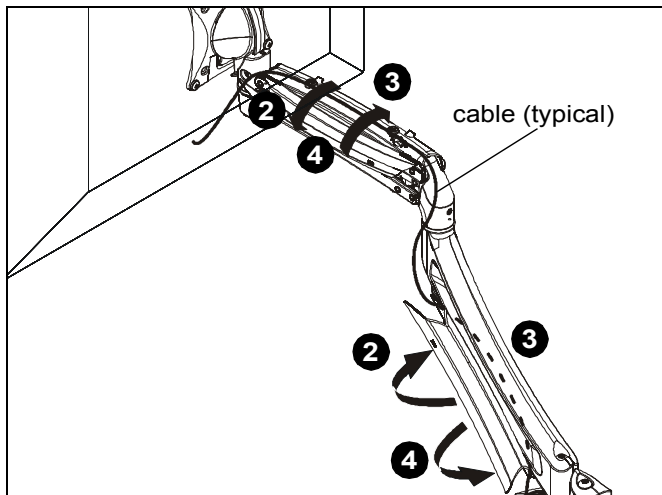


Figure 10

3. Route cables through cable management channels. (See Figure 10)

IMPORTANT! Be sure to leave enough slack in the cables near display and arm joint to allow for full arm articulation!

4. Close cable management covers on monitor arm. (See Figure 10)
5. Repeat Steps 1-4 for lower arm.

Display Removal



WARNING: Only remove display from mount when the display can be lifted up from the mount! DO NOT remove display unless the display is in the upright position! (See Figure 11)

1. Make sure display is in the upright position.
2. Remove quick release faceplate from mount by pressing quick release tab and sliding faceplate off mount. (See Figure 11)

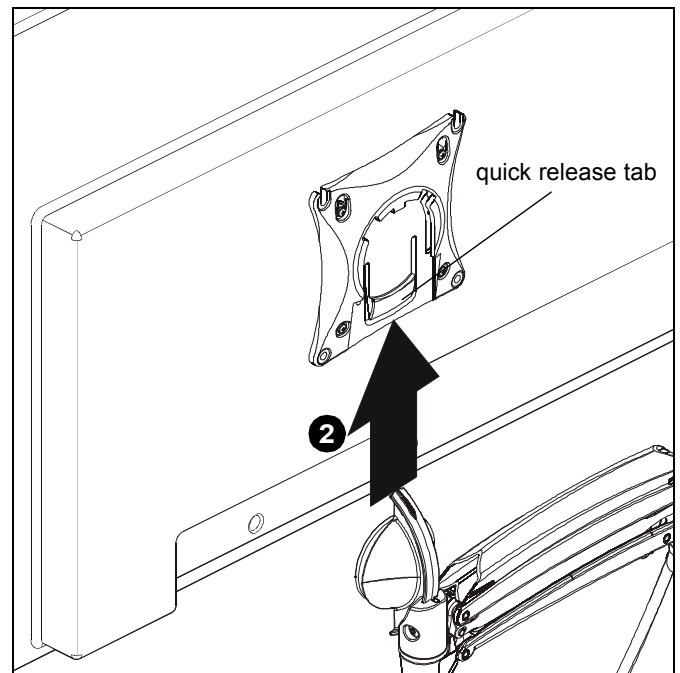


Figure 11